



HOTEC MOTOR

# DC&Gear Motor Solutions

## Micro DC Gear Motor Catalogue



Worm Gear Motor



Flat Gearbox Motor



Round DC Gear Motor

ISO 9001

ISO14001

RoHS&CE Compliant



PDF

## Round Spur Gear Motor

HT-SOG12A(12mm diameter)-----	Page 3
HT-SOG12C(12mm diameter)-----	Page 4
HT-SOG13(13mm diameter)-----	Page 5
HT-SOG15(15.5mm diameter)-----	Page 6
HT-SOG20A(20mm diameter)-----	Page 7
HT-SOG20B(20mm diameter)-----	Page 8
HT-SOG25A(25mm diameter)-----	Page 9
HT-SOG25B(25mm diameter)-----	Page 10
HT-SOG27A(27mm diameter)-----	Page 11
HT-SOG27B(27mm diameter)-----	Page 12
HT-SOG30A(30mm diameter)-----	Page 13
HT-SOG30B(30mm diameter)-----	Page 14
HT-SOG32A(32mm diameter)-----	Page 15
HT-SOG32B(32mm diameter)-----	Page 16
HT-SOG32C(32mm diameter)-----	Page 17
HT-SOG33(33mm diameter)-----	Page 18
HT-SOG37A(37mm diameter)-----	Page 19
HT-SOG37B(37mm diameter)-----	Page 20
HT-SOG37C(37mm diameter)-----	Page 21
HT-SOG37D(37mm diameter)-----	Page 22
HT-SOG37E(37mm diameter)-----	Page 23
HT-SOG37F(37mm diameter)-----	Page 24
HT-SOG37G(37mm diameter)-----	Page 25
HT-SOG51A(50mm diameter)-----	Page 26
HT-SOG51B(50mm diameter)-----	Page 27

## Flat Gearbox DC Motors

HT-COG64-----	Page 28
HT-COG73-----	Page 29
HT-COG95A-----	Page 30
HT-COG95B-----	Page 31
HT-COG95C-----	Page 32
HT-COG95D-----	Page 33
HT-COG95E-----	Page 34
HT-COG95F-----	Page 35
HT-COG95G-----	Page 36
HT-FOG119A-----	Page 37
HT-FOG119B-----	Page 38
HT-FOG119C-----	Page 39

## Planetary Gear Motor

HT-POG16(16mm Diameter)-----	Page 40
HT-POG22A(22mm Diameter)-----	Page 41
HT-POG22B(22mm Diameter)-----	Page 42
HT-POG28A(28mm Diameter)-----	Page 43
HT-POG28B(28mm Diameter)-----	Page 44
HT-POG32(32mm Diameter)-----	Page 45
HT-POG36(36mm Diameter)-----	Page 46
HT-POG42(42mm Diameter)-----	Page 47
HT-POG45(45mm Diameter)-----	Page 48

## Worm Geared DC Motors

HT-WOG34-----	Page 49
HT-WOG34B-----	Page 50
HT-WOG46-----	Page 51
HT-WOG58A-----	Page 52
HT-WOG58B-----	Page 53
HT-WOG58C-----	Page 54

## Brushless DC Gear Motor

HT-BL-SOG37A-----	Page 55
HT-BL-SOG37B-----	Page 56
HT-BL-SOG51A-----	Page 57
HT-BL-COG95A-----	Page 58
HT-BL-COG95B-----	Page 59
HT-BL-COG95C-----	Page 60

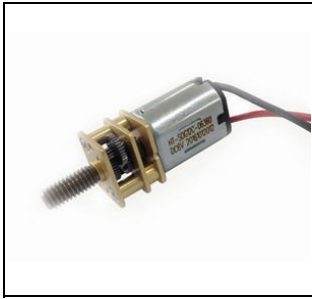
## Value-added Service:

Value-added Service-----	Page 61
--------------------------	---------

\* The datasheet is only for your reference.

\* The parameter in the following table are adjustable upon your request.

\* Contact us if you don't find your specs or motors. Suitable ones would be introduced to you by us.



# HT-SOG12C

Brushed DC Gear Motor

Spur Geared DC Motor

WEIGHT: 11g(APPROX)

### Performance Range

Voltage: 1.5~12VDC

Speed: 1~1600rpm

Torque: 0.1~8kg.cm

### Advantage

Low Cost

Low Noise

Metal/carbon brush

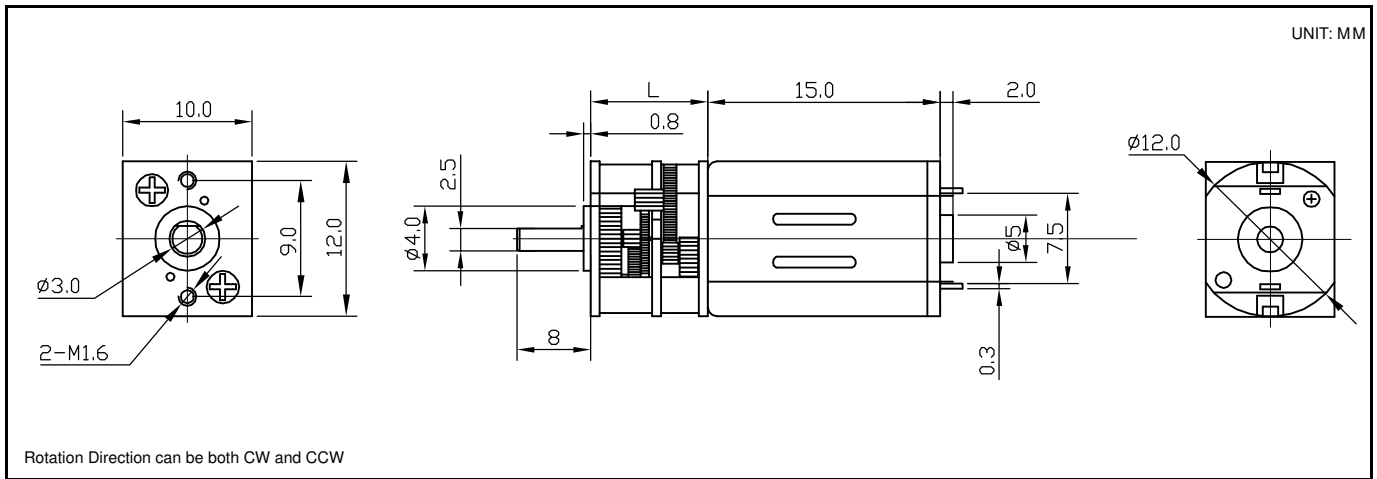
### Typical Applications

Security and Safe Industry

Robtics and Automation

Electric Valve

Gear Ratio Stage	2	3	4	5
Gear Ratio	10	30	150	1000
	20	50	210	
		63	250	
		100	298	
			340	
			380	
Gearbox Length(L)	9			12



MODEL	VOLTAGE		NO LOAD		AT MAX EFFICIENCY			AT STALL	
	OPERA TION RANGE	NOMIN AL	SPEED r/min	CURRE NT A	SPEED r/min	CURRE NT A	TORQU E kg.cm	CURRE NT A	TORQU E kg.cm
HT-SOG12C-1510	1.0-3.0	1.5VDC	10	≤0.03	7	≤0.07	0.4	≤0.3	1.8
HT-SOG12C-1518	1.0-3.0	1.5VDC	18	≤0.03	12	≤0.11	0.2	≤0.5	1
HT-SOG12C-0340	1.5-6.0	3VDC	40	≤0.04	31	≤0.15	0.32	≤0.6	1.2
HT-SOG12C-4550	1.5-6.0	4.5VDC	50	≤0.04	42	≤0.15	0.55	≤0.65	2
HT-SOG12C-0555	1.5-8.0	5VDC	55	≤0.03	44	≤0.21	0.65	≤0.8	2
HT-SOG12C-51650	1.5-8.0	5VDC	1650	≤0.05	1420	≤0.21	0.03	≤0.15	0.15
HT-SOG12C-05800	1.5-8.0	5VDC	800	≤0.05	690	≤0.21	0.05	≤0.9	0.16
HT-SOG12C-06550	1.5-9.0	6VDC	550	≤0.05	425	≤0.21	0.15	≤0.9	0.6
HT-SOG12C-06330	1.5-9.0	6VDC	330	≤0.05	252	≤0.21	0.14	≤0.9	0.55
HT-SOG12C-06180	1.5-9.0	6VDC	180	≤0.05	112	≤0.21	0.25	≤0.9	0.6
HT-SOG12C-0665	3.0-9.0	6VDC	65	≤0.04	46	≤0.25	0.73	≤0.95	2.5
HT-SOG12C-0990	3.0-9.0	9VDC	90	≤0.15	83	≤0.25	0.45	≤0.8	1.3

**Remarks:**

1. Shaft dimension can be customized, we usually have 4.4mm, 8mm and 10mm stocks
2. The Voltage can be 1.5V, 3V, 4.5V, 5V, 6V, 9V; The DC Motor's speed is adjustable.
3. This gearbox can matched with other DC Motor.

\* The datasheet is only for your reference.

\* The parameter in the following table are adjustable upon your request.

\* Contact us if you don't find your specs or motors. Suitable ones would be introduced to you by us.



# HT-SOG12A

Brushed DC Gearmotor

Spur Geared DC Motor

WEIGHT: 14g(APPROX)

### Performance Range

Voltage: 1.5~12VDC

Speed: 1~1600rpm

Torque: 0.1~8kg.cm

### Advantage

Low Cost

Low Noise

Metal/carbon brush

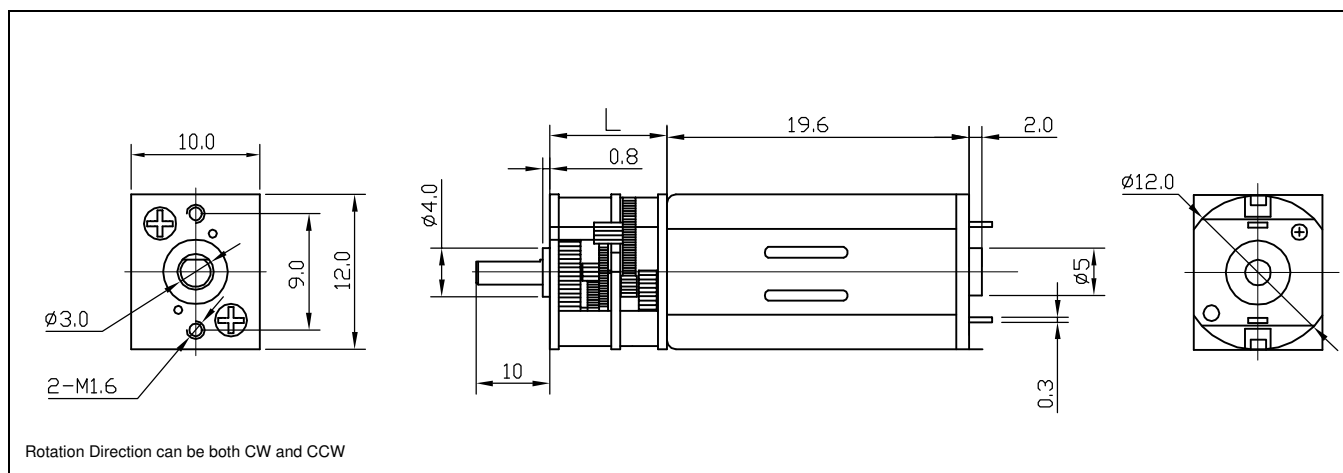
### Typical Applications

Security and Safe Industry

Robtics and Automation

Electric Valve

Gear Ratio Stage	2	3	4	5
Gear Ratio	10	30	150	1000
	20	50	210	
		63	250	
		100	298	
			340	
Gearbox Length(L)	9			12



MODEL	VOLTAGE		NO LOAD		AT MAX EFFICIENCY			AT STALL	
	OPERATION RANGE	NOMINAL	SPEED	CURRENT	SPEED	CURRENT	TORQUE	CURRENT	TORQUE
			r/min	A	r/min	A	kg.cm	A	kg.cm
HT-SOG12A-03790	1.5-6.0	3	790	≤0.04	695	≤0.10	0.02	≤0.41	0.12
HT-SOG12A-03395	1.5-6.0	3	395	≤0.04	346	≤0.10	0.04	≤0.41	0.24
HT-SOG12A-03263	1.5-6.0	3	263	≤0.04	219	≤0.10	0.06	≤0.41	0.36
HT-SOG12A-03158	1.5-6.0	3	158	≤0.04	131	≤0.10	0.1	≤0.41	0.6
HT-SOG12A-03125	1.5-6.0	3	125	≤0.04	99	≤0.10	0.13	≤0.41	0.75
HT-SOG12A-0379	1.5-6.0	3	79	≤0.04	61	≤0.10	0.19	≤0.41	1.2
HT-SOG12A-0353	1.5-6.0	3	53	≤0.04	40	≤0.10	0.29	≤0.41	2.5
HT-SOG12A-0338	1.5-6.0	3	38	≤0.04	29	≤0.10	0.4	≤0.41	3
HT-SOG12A-0332	1.5-6.0	3	32	≤0.04	23	≤0.10	0.47	≤0.41	3
HT-SOG12A-0327	1.5-6.0	3	27	≤0.04	19	≤0.10	0.54	≤0.41	3.6
HT-SOG12A-0323	1.5-6.0	3	23	≤0.04	16	≤0.10	0.6	≤0.41	4
HT-SOG12A-0321	1.5-6.0	3	21	≤0.04	14	≤0.10	0.66	≤0.41	4.7
HT-SOG12A-0308	1.5-6.0	3	8	≤0.04	5	≤0.10	1.7	≤0.41	12

**Remarks:**

1. Shaft dimension can be customized, we usually have 4.4mm, 8mm and 10mm stocks
2. The Voltage can be 1.5V, 3V, 4.5V, 5V, 6V, 9V, 12V; The DC Motor's speed is adjustable.
3. This gearbox can matched with other DC Motor.

\* The datasheet is only for your reference.

\* The parameter in the following table are adjustable upon your request.

\* Contact us if you don't find your specs or motors. Suitable ones would be introduced to you by us.



# HT-SOG13

Brushed DC Gearmotor

Spur Geared DC Motor

WEIGHT: 22g(APPROX)

### Performance Range

Voltage: 1.5~24VDC

Speed: 1~1600rpm

Torque: 0.1~11kg.cm

### Advantage

Low Cost

Low Noise

Metal/carbon brush

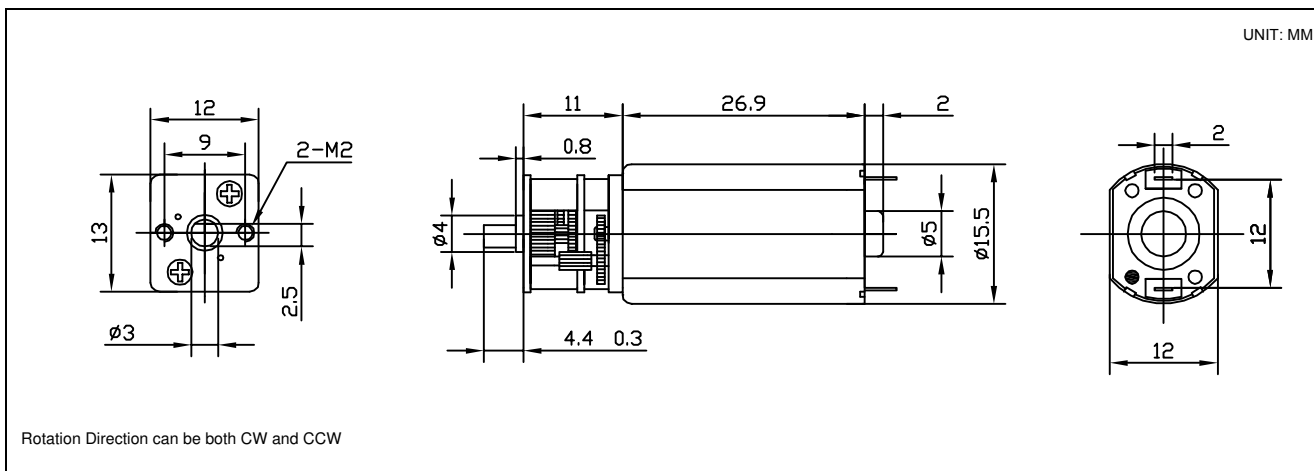
### Typical Applications

Security and Safe Industry

Robotics and Automation

Electric Valve

Gear Ratio Stage	2	3	4	5
Gear Ratio	10	35	115	
	35	63	150	
		86	360	
Gearbox Length(L)	11			



MODEL	VOLTAGE		NO LOAD		AT MAX EFFICIENCY			AT STALL	
	OPERATION RANGE	NOMINAL	SPEED	CURRENT	SPEED	CURRENT	TORQUE	CURRENT	TORQUE
			r/min	A	r/min	A	kg.cm	A	kg.cm
HT-SOG13-121200	4.5-13.5	12.0	1200	≤0.05	1000	≤0.19	0.1	≤0.7	0.5
HT-SOG13-12342	4.5-13.5	12.0	342	≤0.05	274	≤0.19	0.3	≤0.7	1.8
HT-SOG13-12190	4.5-13.5	12.0	190	≤0.05	148	≤0.19	0.5	≤0.7	3.2
HT-SOG13-12139	4.5-13.5	12.0	139	≤0.05	104	≤0.19	0.7	≤0.7	4.3
HT-SOG13-12104	4.5-13.5	12.0	104	≤0.05	76	≤0.19	0.9	≤0.7	5.8
HT-SOG13-1280	4.5-13.5	12.0	80	≤0.05	58	≤0.19	1.1	≤0.7	7.5
HT-SOG13-1248	4.5-13.5	12.0	48	≤0.05	35	≤0.19	1.8	≤0.7	11*
HT-SOG13-1233	4.5-13.5	12.0	33	≤0.05	24	≤0.19	2.5	≤0.7	11*
HT-SOG13-05150	1.5-9.0	7.0	116	≤0.10	93	≤0.50	0.5	≤0.9	4.0
HT-SOG13-05100	1.5-9.0	7.0	87	≤0.10	68	≤0.50	0.6	≤0.9	5.3
HT-SOG13-0571	1.5-9.0	7.0	67	≤0.10	52	≤0.50	0.8	≤0.9	6.9
HT-SOG13-07250	1.5-9.0	7.0	40	≤0.10	31	≤0.50	1.4	≤0.9	10*
HT-SOG13-0550	1.5-9.0	7.0	28	≤0.10	21	≤0.50	1.9	≤0.9	10*

**Remarks:**

1. Shaft dimension can be customized, we usually have 4.4mm, 8mm and 10mm stocks
2. The Voltage can be 1.5V, 3V, 4.5V, 5V, 6V, 9V, 12V, 24V; The DC Motor's speed is adjustable.
3. This gearbox can matched with other DC Motor.

- \* The datasheet is only for your reference.
- \* The parameter in the following table are adjustable upon your request.
- \* Contact us if you don't find your specs or motors. Suitable ones would be introduced to you by us.



# HT-SOG15A

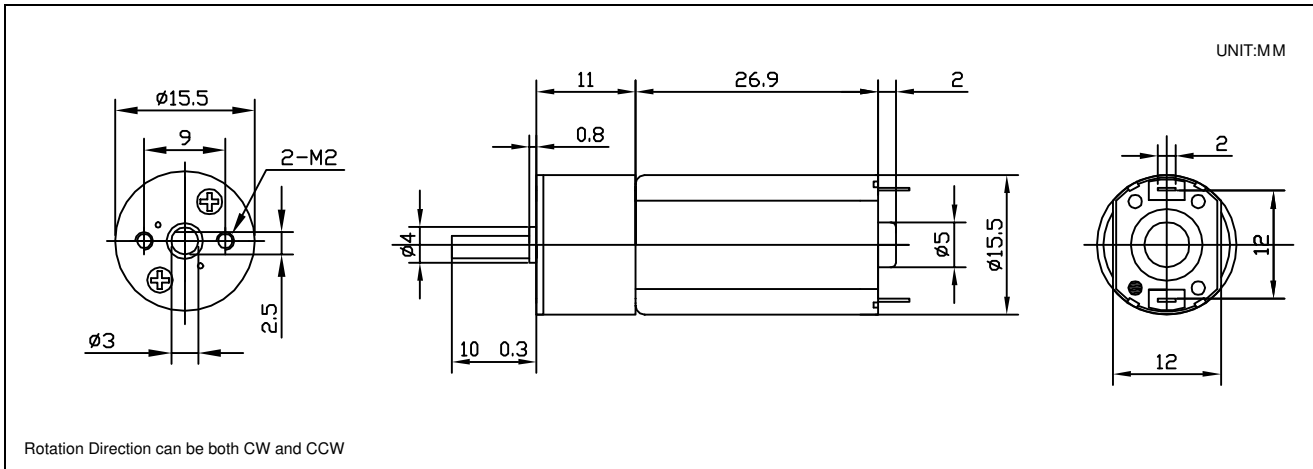
Brushed DC Gearmotor

Spur Geared DC Motor

WEIGHT: 24g(APPROX)

Performance Range	Advantage	Typical Applications
Voltage: 1.5~24VDC	Low Cost	Security and Safe Industry
Speed: 1~1600rpm	Low Noise	Robotics and Automation
Torque: 0.1~12kg.cm	Metal/carbon brush	Electric Valve

Gear Ratio Stage	2	3	4	5
Gear Ratio	10	35	115	
	35	63	150	
		86	360	
Gearbox Length(L)	11			



MODEL	VOLTAGE		NO LOAD		AT MAX EFFICIENCY			AT STALL	
	OPERATION RANGE	NOMINAL	SPEED	CURRENT	SPEED	CURRENT	TORQUE	CURRENT	TORQUE
			r/min	A	r/min	A	kg.cm	A	kg.cm
HT-SOG15A-121200	4.5-13.5	12.0	1200	≤0.05	1000	≤0.19	0.08	≤0.7	0.5
HT-SOG15A-12342	4.5-13.5	12.0	342	≤0.05	274	≤0.19	0.28	≤0.7	1.7
HT-SOG15A-12190	4.5-13.5	12.0	190	≤0.05	148	≤0.19	0.5	≤0.7	3.2
HT-SOG15A-12139	4.5-13.5	12.0	139	≤0.05	104	≤0.19	0.65	≤0.7	4.3
HT-SOG15A-12104	4.5-13.5	12.0	104	≤0.05	76	≤0.19	0.88	≤0.7	5.7
HT-SOG15A-1280	4.5-13.5	12.0	80	≤0.05	58	≤0.19	1.1	≤0.7	7.5
HT-SOG15A-1248	4.5-13.5	12.0	48	≤0.05	35	≤0.19	1.8	≤0.7	12*
HT-SOG15A-1233	4.5-13.5	12.0	33	≤0.05	24	≤0.19	2.5	≤0.7	12*
HT-SOG15A-05150	1.5-9.0	7.0	116	≤0.10	93	≤0.50	0.5	≤0.9	4
HT-SOG15A-05100	1.5-9.0	7.0	87	≤0.10	68	≤0.50	0.6	≤0.9	5
HT-SOG15A-0571	1.5-9.0	7.0	67	≤0.10	52	≤0.50	0.8	≤0.9	7
HT-SOG15A-07250	1.5-9.0	7.0	40	≤0.10	31	≤0.50	1.4	≤0.9	12*
HT-SOG15A-0550	1.5-9.0	7.0	28	≤0.10	21	≤0.50	1.9	≤0.9	12*

Remarks:

1. Shaft dimension can be customized, we usually have 4.4mm, 8mm and 10mm stocks
2. The Voltage can be 1.5V, 3V, 4.5V, 5V, 6V, 9V, 12V, 24V; The DC Motor's speed is adjustable.
3. This gearbox can matched with other DC Motor.

\* The datasheet is only for your reference.

\* The parameter in the following table are adjustable upon your request.

\* Contact us if you don't find your specs or motors. Suitable ones would be introduced to you by us.



# HT-SOG20A

Brushed DC Gearmotor

Spur Geared DC Motor

WEIGHT: 45g

### Performance Range

Voltage: 3~24VDC  
 Speed: 1~1600rpm  
 Torque: 0.2~18kg.cm

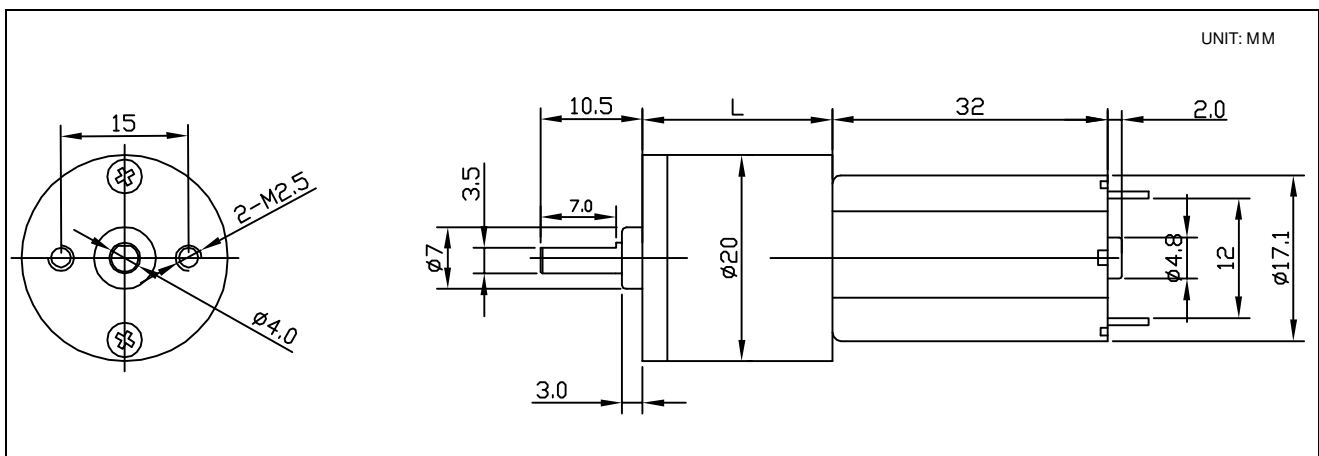
### Advantage

Low Cost  
 Metal/carbon brush

### Typical Applications

Security and Safe Industry  
 Home and office Automation  
 Equipment and Apparatus

Gear Ratio Stage	2	3	4	5
Gear Ratio	10	50	100	250
	12.5	62	125	313
	25	78	156	391
	31		195	488
Gearbox Length(L)	16	17.5	19	20.5



MODEL	VOLTAGE		NO LOAD		AT MAX EFFICIENCY			AT STALL	
	OPERATION RANGE	NOMINAL	SPEED	CURRENT	SPEED	CURRENT	TORQUE	CURRENT	TORQUE
			r/min	A	r/min	A	kg.cm	A	kg.cm
HT-SOG20A-12650	4.5-13.5	12.0	650	$\leq 0.05$	530	$\leq 0.16$	0.07	$\leq 0.7$	0.8
HT-SOG20A-12520	4.5-13.5	12.0	520	$\leq 0.05$	420	$\leq 0.16$	0.09	$\leq 0.7$	1
HT-SOG20A-12260	4.5-13.5	12.0	260	$\leq 0.05$	210	$\leq 0.16$	0.16	$\leq 0.7$	2
HT-SOG20A-12209	4.5-13.5	12.0	209	$\leq 0.05$	163	$\leq 0.16$	0.19	$\leq 0.7$	2.5
HT-SOG20A-12130	4.5-13.5	12.0	130	$\leq 0.05$	99	$\leq 0.16$	0.3	$\leq 0.7$	4
HT-SOG20A-12105	4.5-13.5	12.0	105	$\leq 0.05$	79	$\leq 0.16$	0.4	$\leq 0.7$	5
HT-SOG20A-1283	4.5-13.5	12.0	83	$\leq 0.05$	62	$\leq 0.16$	0.5	$\leq 0.7$	6.5
HT-SOG20A-1265	4.5-13.5	12.0	65	$\leq 0.05$	47	$\leq 0.16$	0.6	$\leq 0.7$	8
HT-SOG20A-1252	4.5-13.5	12.0	52	$\leq 0.05$	37	$\leq 0.16$	0.7	$\leq 0.7$	10
HT-SOG20A-1242	4.5-13.5	12.0	42	$\leq 0.05$	30	$\leq 0.16$	0.9	$\leq 0.7$	12
HT-SOG20A-1233	4.5-13.5	12.0	33	$\leq 0.05$	23.5	$\leq 0.16$	1.1	$\leq 0.7$	16
HT-SOG20A-1226	4.5-13.5	12.0	26	$\leq 0.05$	18	$\leq 0.16$	1.4	$\leq 0.7$	18*
HT-SOG20A-1221	4.5-13.5	12.0	21	$\leq 0.05$	14	$\leq 0.16$	1.7	$\leq 0.7$	18*
HT-SOG20A-1216	4.5-13.5	12.0	16	$\leq 0.05$	11	$\leq 0.16$	2.1	$\leq 0.7$	18*
HT-SOG20A-1213	4.5-13.5	12.0	13	$\leq 0.05$	8.8	$\leq 0.16$	2.6	$\leq 0.7$	18*

Remarks:

1. Shaft dimension can be customized.
2. The Voltage can be 3V, 6V, 9V, 12V, 24V; The DC Motor's speed is adjustable.
3. This gearbox can be matched with other DC Motor.



\* The datasheet is only for your reference.

\* The parameter in the following table are adjustable upon your request.

\* Contact us if you don't find your specs or motors. Suitable ones would be introduced to you by us.



# HT-SOG20B

Brushed DC Gearmotor

Spur Geared DC Motor

WEIGHT: 35g(APPROX)

**Performance Range**

Voltage: 3~24VDC  
 Speed: 1~1600rpm  
 Torque: 0.2~18kg.cm

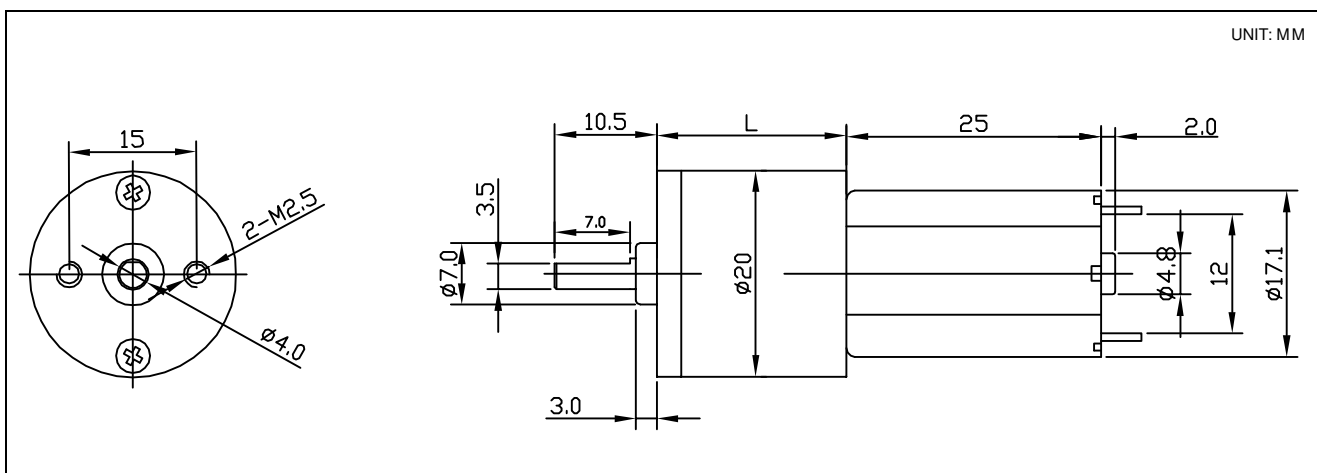
**Advantage**

Low Cost  
 Metal/carbon brush

**Typical Applications**

Security and Safe Industry  
 Home and office Automation  
 Equipment and Apparatus

Gear Ratio Stage	2	3	4	5
Gear Ratio	10	50	100	250
	12.5	62	125	313
	25	78	156	391
	31		195	488
Gearbox Length(L)	16	17.5	19	20.5



MODEL	VOLTAGE		NO LOAD		AT MAX EFFICIENCY			AT STALL	
	OPERATION RANGE	NOMINAL	SPEED	CURRENT	SPEED	CURRENT	TORQUE	CURRENT	TORQUE
			r/min	A	r/min	A	kg.cm	A	kg.cm
HT-SOG20B-06480	3.0-9.0	6.0	480	≤0.05	422	≤0.16	0.07	≤0.6	0.5
HT-SOG20B-06384	3.0-9.0	6.0	384	≤0.05	337	≤0.16	0.09	≤0.6	0.6
HT-SOG20B-06192	3.0-9.0	6.0	192	≤0.05	146	≤0.16	0.16	≤0.6	1.1
HT-SOG20B-06155	3.0-9.0	6.0	155	≤0.05	117	≤0.16	0.19	≤0.6	1.3
HT-SOG20B-0696	3.0-9.0	6.0	96	≤0.05	70	≤0.16	0.3	≤0.6	2.2
HT-SOG20B-0677	3.0-9.0	6.0	77	≤0.05	57	≤0.16	0.4	≤0.6	2.7
HT-SOG20B-0661	3.0-9.0	6.0	61	≤0.05	44	≤0.16	0.5	≤0.6	3.4
HT-SOG20B-0648	3.0-9.0	6.0	48	≤0.05	34	≤0.16	0.6	≤0.6	4.4
HT-SOG20B-0638	3.0-9.0	6.0	38	≤0.05	27	≤0.16	0.7	≤0.6	5.5
HT-SOG20B-0631	3.0-9.0	6.0	31	≤0.05	22	≤0.16	0.9	≤0.6	6.8
HT-SOG20B-0625	3.0-9.0	6.0	25	≤0.05	7	≤0.16	1.1	≤0.6	8.5
HT-SOG20B-0613	3.0-9.0	6.0	13	≤0.05	13	≤0.16	1.4	≤0.6	11
HT-SOG20B-0615	3.0-9.0	6.0	15	≤0.05	10.5	≤0.16	1.7	≤0.6	13
HT-SOG20B-0612	3.0-9.0	6.0	12	≤0.05	8	≤0.16	2.1	≤0.6	17
HT-SOG20B-0610	3.0-9.0	6.0	10	≤0.05	6.5	≤0.16	2.6	≤0.6	18*

Remarks:

1. Shaft dimension can be customized.
2. The Voltage can be 3V,6V, 9V, 12V, 24V; The DC Motor's speed is adjustable.
3. This gearbox can matched with other DC Motor.

\* The datasheet is only for your reference.

\* The parameter in the following table are adjustable upon your request.

\* Contact us if you don't find your specs or motors. Suitable ones would be introduced to you by us.



# HT-SOG25A

Brushed DC Gearmotor

Spur Geared DC Motor

WEIGHT: 95g(APPROX)

### Performance Range

Voltage: 3~24VDC  
 Speed: 1~1600rpm  
 Torque: 0.2~20kg.cm

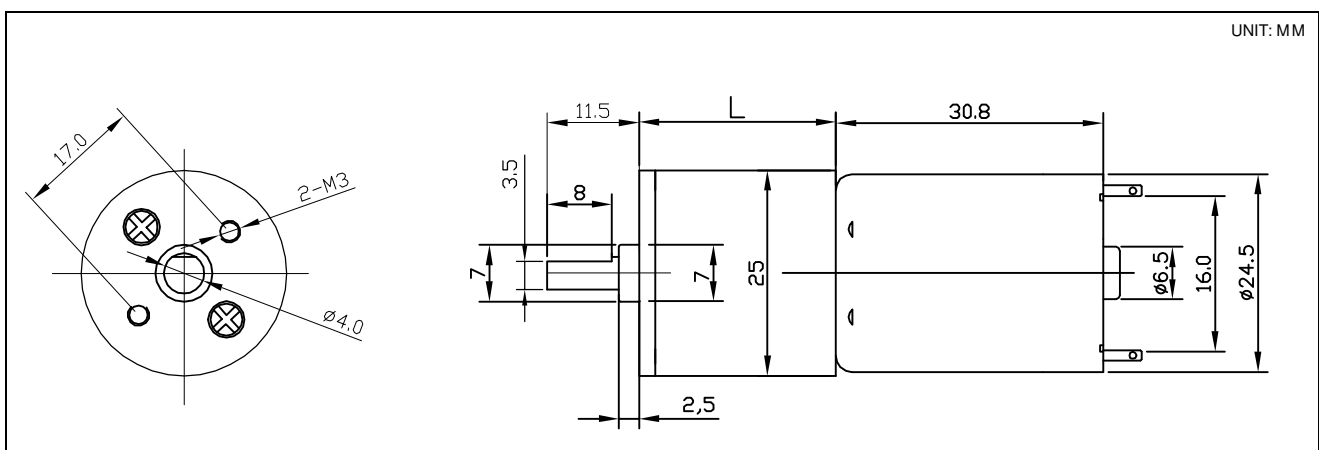
### Advantage

Low Cost  
 Metal/carbon brush

### Typical Applications

Security and Safe Industry  
 Beauty and Health Care  
 Equipment and Appratus

Gear Ratio Stage	2	3	4	5	6	7
Gear Ratio	15	26	57	125	275	603
	20	34	75	165	362	796
		45	98	217	478	1051
Gearbox Length(L)	19	21	23	25	27	29



MODEL	VOLTAGE		NO LOAD		AT MAX EFFICIENCY			AT STALL	
	OPERATION RANGE	NOMINAL	SPEED	CURRENT	SPEED	CURRENT	TORQUE	CURRENT	TORQUE
			r/min	A	r/min	A	kg.cm	A	kg.cm
HT-SOG25A-12400	4.5-13.5	12.0	400	≤0.04	352	≤0.16	0.3	≤0.9	2.3
HT-SOG25A-12300	4.5-13.5	12.0	300	≤0.04	258	≤0.16	0.4	≤0.9	3
HT-SOG25A-12230	4.5-13.5	12.0	230	≤0.04	180	≤0.16	0.5	≤0.9	3.9
HT-SOG25A-12176	4.5-13.5	12.0	176	≤0.04	137	≤0.16	0.6	≤0.9	5.1
HT-SOG25A-12133	4.5-13.5	12.0	133	≤0.04	103	≤0.16	0.8	≤0.9	6.8
HT-SOG25A-12105	4.5-13.5	12.0	105	≤0.04	79	≤0.16	0.9	≤0.9	8.6
HT-SOG25A-1280	4.5-13.5	12.0	80	≤0.04	61	≤0.16	1.2	≤0.9	11.3
HT-SOG25A-1261	4.5-13.5	12.0	61	≤0.04	45	≤0.16	1.6	≤0.9	14.7
HT-SOG25A-1248	4.5-13.5	12.0	48	≤0.04	35	≤0.16	1.9	≤0.9	18.8
HT-SOG25A-1236	4.5-13.5	12.0	36	≤0.04	26	≤0.16	2.5	≤0.9	20.0*
HT-SOG25A-1228	4.5-13.5	12.0	28	≤0.04	20	≤0.16	3.3	≤0.9	20.0*
HT-SOG25A-1222	4.5-13.5	12.0	22	≤0.04	15	≤0.16	4	≤0.9	20.0*
HT-SOG25A-1216	4.5-13.5	12.0	16	≤0.04	12	≤0.16	5.3	≤0.9	20.0*
HT-SOG25A-1213	4.5-13.5	12.0	13	≤0.04	8.5	≤0.16	6.8	≤0.9	20.0*
HT-SOG25A-1210	4.5-13.5	12.0	10	≤0.04	6.5	≤0.16	7.8	≤0.9	20.0*

Remarks:

1. Shaft dimension can be customized.
2. The Voltage can be 3V,6V, 9V, 12V, 24V; The DC Motor's speed is adjustable.
3. This gearbox can matched with other DC Motor.

\* The datasheet is only for your reference.

\* The parameter in the following table are adjustable upon your request.

\* Contact us if you don't find your specs or motors. Suitable ones would be introduced to you by us.



# HT-SOG25B

Brushed DC Gearmotor

Spur Geared DC Motor

WEIGHT: 74g(APPROX)

### Performance Range

Voltage: 3~24VDC  
 Speed: 1~1600rpm  
 Torque: 0.2~18kg.cm

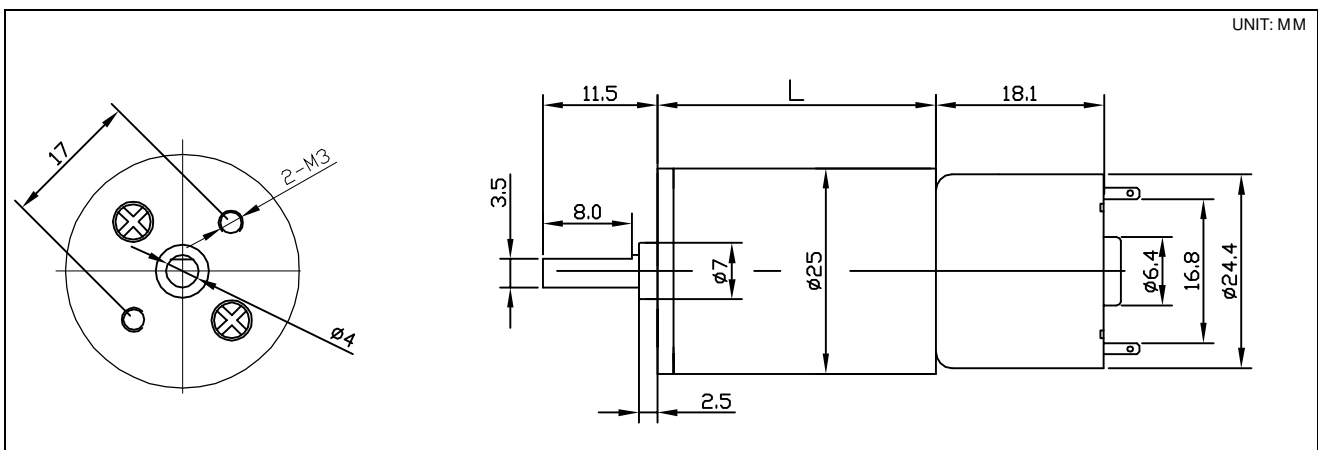
### Advantage

Low Cost  
 Metal/carbon brush

### Typical Applications

Security and Safe Industry  
 Home and office Automation  
 Equipment and Appratus

Gear Ratio Stage	2	3	4	5	6	7
Gear Ratio	15	26	57	125	275	603
	20	34	75	165	362	796
		45	98	217	478	1051
Gearbox Length(L)	19	21	23	25	27	29



MODEL	VOLTAGE		NO LOAD		AT MAX EFFICIENCY			AT STALL	
	OPERATION RANGE	NOMINAL	SPEED	CURRENT	SPEED	CURRENT	TORQUE	CURRENT	TORQUE
			r/min	A	r/min	A	kg.cm	A	kg.cm
HT-SOG25B-12446	1.0-8.0	6.0	446	≤0.05	393	≤0.22	0.1	≤0.6	0.5
HT-SOG25B-12335	1.0-8.0	6.0	335	≤0.05	295	≤0.22	0.15	≤0.6	0.7
HT-SOG25B-12257	1.0-8.0	6.0	257	≤0.05	213	≤0.22	0.2	≤0.6	0.9
HT-SOG25B-12197	1.0-8.0	6.0	197	≤0.05	163	≤0.22	0.25	≤0.6	1.2
HT-SOG25B-12149	1.0-8.0	6.0	149	≤0.05	124	≤0.22	0.3	≤0.6	1.6
HT-SOG25B-12118	1.0-8.0	6.0	118	≤0.05	93	≤0.22	0.4	≤0.6	2.1
HT-SOG25B-1289	1.0-8.0	6.0	89	≤0.05	71	≤0.22	0.5	≤0.6	2.7
HT-SOG25B-1268	1.0-8.0	6.0	68	≤0.05	54	≤0.22	0.6	≤0.6	3.5
HT-SOG25B-1254	1.0-8.0	6.0	54	≤0.05	41	≤0.22	0.8	≤0.6	4.5
HT-SOG25B-1241	1.0-8.0	6.0	41	≤0.05	31	≤0.22	1	≤0.6	5.9
HT-SOG25B-1231	1.0-8.0	6.0	31	≤0.05	23	≤0.22	1.3	≤0.6	7.8
HT-SOG25B-1224	1.0-8.0	6.0	24	≤0.05	17	≤0.22	1.5	≤0.6	9.9
HT-SOG25B-1218	1.0-8.0	6.0	18	≤0.05	13	≤0.22	2.1	≤0.6	13
HT-SOG25B-1214	1.0-8.0	6.0	14	≤0.05	9.8	≤0.22	2.7	≤0.6	17
HT-SOG25B-1211	1.0-8.0	6.0	11	≤0.05	7	≤0.22	3.2	≤0.6	20.0*

Remarks:

1. Shaft dimension can be customized.
2. The Voltage can be 3V,6V, 9V, 12V, 24V; The DC Motor's speed is adjustable.
3. This gearbox can matched with other DC Motor.

- \* The datasheet is only for your reference.
- \* The parameter in the following table are adjustable upon your request.
- \* Contact us if you don't find your specs or motors. Suitable ones would be introduced to you by us.



# HT-SOG27A

Precise Metal Gearbox

WEIGHT: 95g(APPROX)

**Performance Range**

Voltage: 3.0~24VDC  
 Speed: 1~800rpm  
 Torque: 0.2~12kg.cm

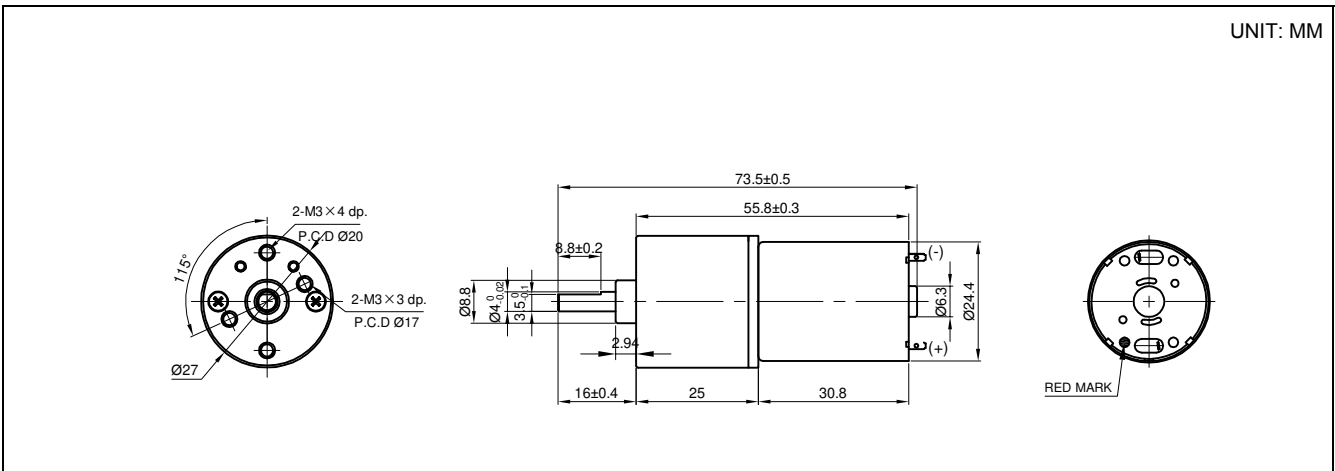
**Advantage**

Low Cost  
 Low Noise

**Typical Applications**

Electronic Lock and Safe  
 Electric Valve and Acuator  
 Equipment and Appratus

Gear Ratio Stage	3	4	5	6	7	8
Gear Ratio	10	21	43	90	188	392
		27	61	139	317	720
Gearbox Length(L)	25					



MODEL	VOLTAGE		NO LOAD		AT MAX EFFICIENCY			AT STALL	
	OPERATION RANGE	NOMINAL	SPEED	CURRENT	SPEED	CURRENT	TORQUE	CURRENT	TORQUE
			r/min	A	r/min	A	kg.cm	A	kg.cm
HT-SOG27A-0668	3.0-7.2	6VDC	68	≤0.04	55	≤0.15	0.4	≤0.78	2.2
HT-SOG27A-0645	3.0-7.2	6VDC	45	≤0.04	36	≤0.15	0.72	≤0.78	3.65
HT-SOG27A-0624	3.0-7.2	6VDC	24	≤0.04	18	≤0.15	0.9	≤0.78	4.8
HT-SOG27A-068.5	3.0-7.2	6VDC	8.5	≤0.04	7	≤0.15	2.25	≤0.78	9.35
HT-SOG27A-0604	3.0-7.2	6VDC	4	≤0.04	2.6	≤0.15	4.8	≤0.78	19.5
HT-SOG27A-12132	6.0-14.0	12VDC	132	≤0.05	115	≤0.23	0.7	≤1.18	3.53
HT-SOG27A-1290	6.0-14.0	12VDC	90	≤0.05	76	≤0.23	1.1	≤1.18	5.60
HT-SOG27A-1260	6.0-14.0	12VDC	60	≤0.05	52	≤0.23	1.45	≤1.18	6.55
HT-SOG27A-1245	6.0-14.0	12VDC	45	≤0.05	40	≤0.23	1.82	≤1.18	7.25
HT-SOG27A-1230	6.0-14.0	12VDC	30	≤0.05	25	≤0.23	2.55	≤1.18	10.75
HT-SOG27A-1222	6.0-14.0	12VDC	22	≤0.05	18	≤0.23	3.45	≤1.18	13.65
HT-SOG27A-1212	6.0-14.0	12VDC	12	≤0.05	10	≤0.23	6.5	≤1.18	22.5*

Remarks:

1. Shaft dimension can be customized.
2. The Voltage can be 3V, 6V, 9V, 12V, 24V; The DC Motor's speed is adjustable.
3. This gearbox can matched with other DC Motor.

- \* The datasheet is only for your reference.
- \* The parameter in the following table are adjustable upon your request.
- \* Contact us if you don't find your specs or motors. Suitable ones would be introduced to you by us.



# HT-SOG27B

Brushed DC Gearmotor

Spur Geared DC Motor

WEIGHT: 95g(APPROX)

### Performance Range

Voltage: 1.5~24VDC  
 Speed: 1~800rpm  
 Torque: 0.2~12kg.cm

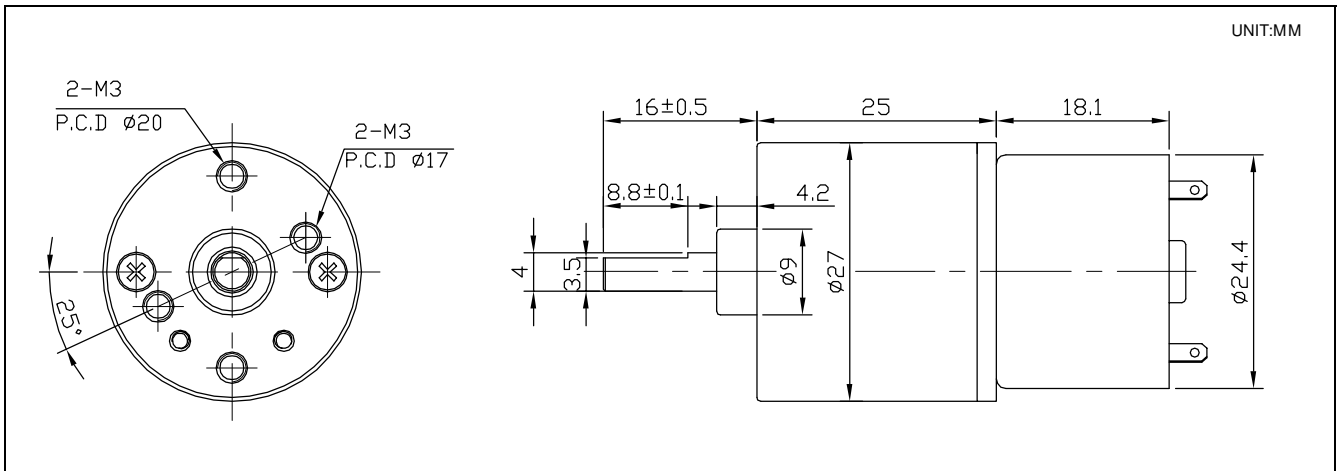
### Advantage

Low Cost  
 Metal/carbon brush

### Typical Applications

Electronic Lock and Safe  
 Electric Valve and Actuator  
 Equipment and Apparatus

Gear Ratio Stage	3	4	5	6	7	8
Gear Ratio	10	21	43	90	188	392
		27	61	139	317	720
Gearbox Length(L)	25					



MODEL	VOLTAGE		NO LOAD		AT MAX EFFICIENCY			AT STALL	
	OPERATION RANGE	NOMINAL	SPEED	CURRENT	SPEED	CURRENT	TORQUE	CURRENT	TORQUE
			r/min	A	r/min	A	kg.cm	A	kg.cm
HT-SOG27B-0358	1.3-4.5	3.0	58	≤0.04	43	≤0.15	0.15	≤0.5	0.6
HT-SOG27B-0329	1.3-4.5	3.0	29	≤0.04	22	≤0.15	0.25	≤0.5	1.0
HT-SOG27B-0314	1.3-4.5	3.0	14	≤0.04	12	≤0.15	0.25	≤0.5	1.9
HT-SOG27B-036.4	1.3-4.5	3.0	6.4	≤0.04	4.8	≤0.15	1.00	≤0.5	4.0
HT-SOG27B-035.1	1.3-4.5	3.0	5.1	≤0.04	3.1	≤0.15	1.00	≤0.5	2.5
HT-SOG27B-06120	3.0-9.0	6.0	120	≤0.05	97	≤0.18	0.25	≤0.8	1.3
HT-SOG27B-0658	3.0-9.0	6.0	58	≤0.05	44	≤0.18	0.50	≤0.8	2.0
HT-SOG27B-0628	3.0-9.0	6.0	28	≤0.05	21	≤0.18	1.00	≤0.8	4.0
HT-SOG27B-0614	3.0-9.0	6.0	14	≤0.05	10	≤0.18	2.00	≤0.8	8.0
HT-SOG27B-066.5	3.0-9.0	6.0	6.5	≤0.05	5.9	≤0.18	3.50	≤0.5	10.0
HT-SOG27B-0622	3.0-9.0	6.0	22	≤0.05	18	≤0.15	0.45	≤0.5	2.5
HT-SOG27B-0610.5	3.0-9.0	6.0	10.5	≤0.05	8.6	≤0.15	1.00	≤0.5	5.8
HT-SOG27B-0608	3.0-9.0	6.0	8	≤0.05	5.5	≤0.15	1.00	≤0.5	3.2
HT-SOG27B-1228	6.0-15.0	12.0	28	≤0.05	21	≤0.12	0.75	≤0.5	2.8
HT-SOG27B-126.3	6.0-15.0	12.0	6.3	≤0.05	5	≤0.12	3.00	≤0.5	11.0

Remarks:

1. Shaft dimension can be customized.
2. The Voltage can be 3V, 6V, 9V, 12V, 24V; The DC Motor's speed is adjustable.
3. This gearbox can matched with other DC Motor.

\* The datasheet is only for your reference.

\* The parameter in the following table are adjustable upon your request.

\* Contact us if you don't find your specs or motors. Suitable ones would be introduced to you by us.



# HT-SOG30A

Brushed DC Gearmotor

Spur Geared DC Motor

WEIGHT: 95g(APPROX)

### Performance Range

Voltage: 6~24VDC  
 Speed: 1~1200rpm  
 Torque: 0.5~40kg.cm

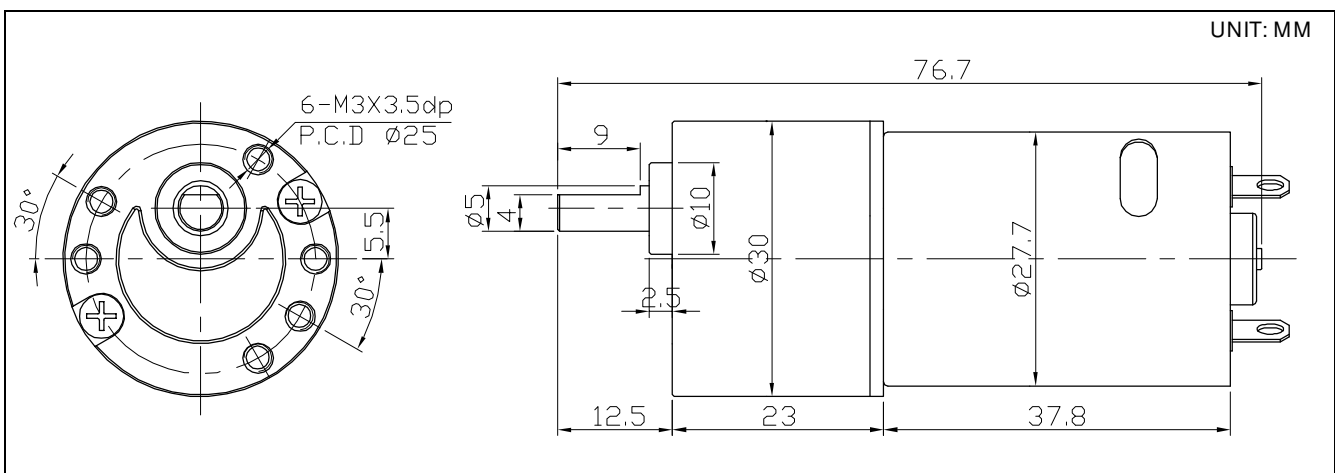
### Advantage

Low Cost  
 carbon brush

### Typical Applications

House-hold Appliance  
 Auto and Integent Cleaner  
 Vending and Banking System

Gear Ratio Stage	2	3	4	5
Gear Ratio	10	20	60	120
		30	90	180
			100	270
				300
Gearbox Length(L)				

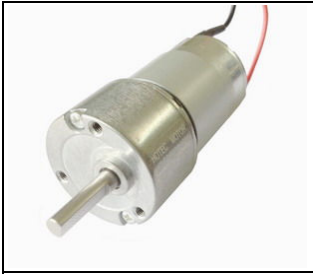


MODEL	VOLTAGE		NO LOAD		AT MAX EFFICIENCY			AT STALL	
	OPERATION RANGE	NOMINAL	SPEED	CURRENT	SPEED	CURRENT	TORQUE	CURRENT	TORQUE
			r/min	A	r/min	A	kg.cm	A	kg.cm
HT-SOG30A-24600	12.0-28.0	24.0	600	≤0.07	450	≤0.3	0.6	≤1.2	2.6
HT-SOG30A-24300	12.0-28.0	24.0	300	≤0.07	225	≤0.3	1.0	≤1.2	4.6
HT-SOG30A-24200	12.0-28.0	24.0	200	≤0.07	150	≤0.3	1.5	≤1.2	7.0
HT-SOG30A-24100	12.0-28.0	24.0	100	≤0.07	75	≤0.3	2.7	≤1.2	14.0
HT-SOG30A-2466	12.0-28.0	24.0	66	≤0.07	50	≤0.3	4.0	≤1.2	18.0
HT-SOG30A-2460	12.0-28.0	24.0	60	≤0.07	45	≤0.3	4.5	≤1.2	20.0
HT-SOG30A-2450	12.0-28.0	24.0	50	≤0.07	37.5	≤0.3	5.0	≤1.2	22.0
HT-SOG30A-2433	12.0-28.0	24.0	33	≤0.07	25	≤0.3	7.5	≤1.2	34.0
HT-SOG30A-2422	12.0-28.0	24.0	22	≤0.07	17	≤0.3	10*	≤1.2	40*
HT-SOG30A-2420	12.0-28.0	24.0	20	≤0.07	15	≤0.3	10*	≤1.2	40*
HT-SOG30A-1230	6.0-14.0	12.0	30	≤0.05	22.5	≤0.18	1.9	≤0.8	9.5
HT-SOG30A-1225	6.0-14.0	12.0	25	≤0.05	18.7	≤0.18	2.0	≤0.8	11.0
HT-SOG30A-1217	6.0-14.0	12.0	17	≤0.05	12.5	≤0.18	3.2	≤0.8	16.0
HT-SOG30A-1211	6.0-14.0	12.0	11	≤0.05	8.3	≤0.18	4.8	≤0.8	24.0
HT-SOG30A-1210	6.0-14.0	12.0	10	≤0.05	7.5	≤0.18	5.3	≤0.8	26.0

Remarks:

1. Shaft dimension can be customized.
2. The Voltage can be 6V, 9V, 12V, 24V; The DC Motor's speed is adjustable.
3. This gearbox can matched with other DC Motor.

- \* The datasheet is only for your reference.
- \* The parameter in the following table are adjustable upon your request.
- \* Contact us if you don't find your specs or motors. Suitable ones would be introduced to you by us.



# HT-SOG30B

Brushed DC Gearmotor

Spur Geared DC Motor

WEIGHT: 95g(APPROX)

### Performance Range

Voltage: 6~24VDC  
 Speed: 1~1200rpm  
 Torque: 0.5~40kg.cm

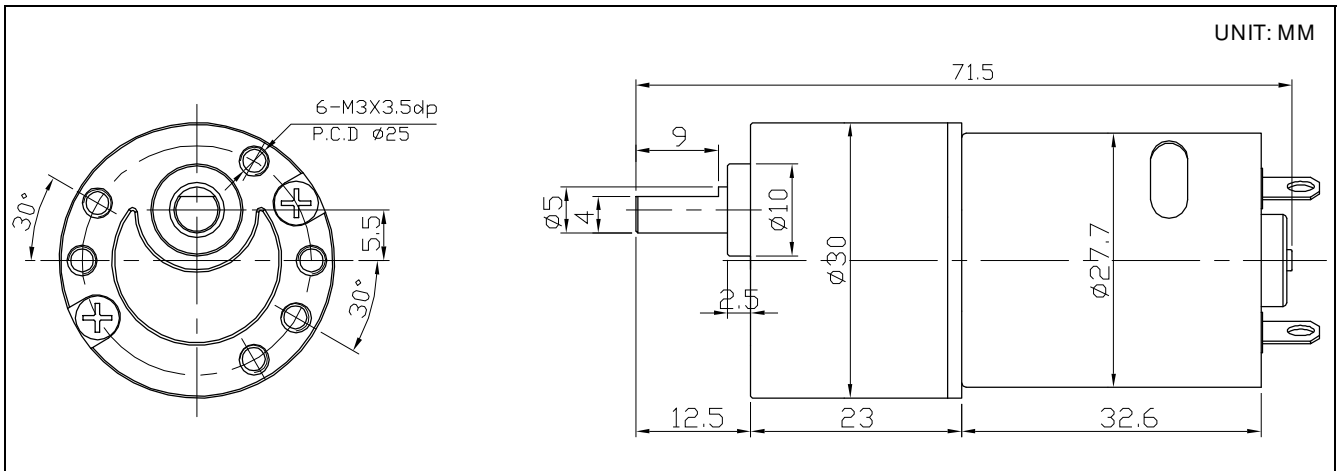
### Advantage

Low Cost  
 carbon brush

### Typical Applications

House-hold Appliance  
 Auto and Integent Cleaner  
 Vending and Banking System

Gear Ratio Stage	2	3	4	5
Gear Ratio	10	20	60	120
		30	90	180
			100	270
				300
Gearbox Length(L)				



MODEL	VOLTAGE		NO LOAD		AT MAX EFFICIENCY			AT STALL	
	OPERATION RANGE	NOMINAL	SPEED	CURRENT	SPEED	CURRENT	TORQUE	CURRENT	TORQUE
			r/min	A	r/min	A	kg.cm	A	kg.cm
HT-SOG30B-12680	6.0-14.0	12.0	680	≤0.15	570	≤0.39	0.28	≤1.5	1.8
HT-SOG30B-12340	6.0-14.0	12.0	340	≤0.15	285	≤0.39	0.51	≤1.5	3.2
HT-SOG30B-12226	6.0-14.0	12.0	226	≤0.15	190	≤0.39	0.76	≤1.5	4.8
HT-SOG30B-12113	6.0-14.0	12.0	113	≤0.15	95	≤0.39	1.40	≤1.5	8.6
HT-SOG30B-1275	6.0-14.0	12.0	75	≤0.15	63	≤0.39	2.00	≤1.5	12.8
HT-SOG30B-1268	6.0-14.0	12.0	68	≤0.15	57	≤0.39	2.30	≤1.5	14.0
HT-SOG30B-1256.6	6.0-14.0	12.0	56.6	≤0.15	47.5	≤0.39	2.50	≤1.5	15.6
HT-SOG30B-1238	6.0-14.0	12.0	38	≤0.15	31.6	≤0.39	3.70	≤1.5	23.0
HT-SOG30B-1225	6.0-14.0	12.0	25	≤0.15	21	≤0.39	5.60	≤1.5	35.0
HT-SOG30B-1223	6.0-14.0	12.0	23	≤0.15	19	≤0.39	6.20	≤1.5	39.0
HT-SOG30B-0634	6.0-14.0	6.0	34	≤0.10	28.5	≤0.25	1.20	≤1.0	6.3
HT-SOG30B-0628	4.5-9.0	6.0	28	≤0.10	24	≤0.25	1.40	≤1.0	7.0
HT-SOG30B-0619	4.5-9.0	6.0	19	≤0.10	16	≤0.25	2.00	≤1.0	10.5
HT-SOG30B-0612.6	4.5-9.0	6.0	12.6	≤0.10	10.5	≤0.25	3.20	≤1.0	16.0
HT-SOG30B-0611	4.5-9.0	6.0	11	≤0.10	9.5	≤0.25	3.50	≤1.0	18.0

Remarks:

1. Shaft dimension can be customized.
2. The Voltage can be 6V, 9V, 12V, 24V; The DC Motor's speed is adjustable.
3. This gearbox can matched with other DC Motor.

- \* The datasheet is only for your reference.
- \* The parameter in the following table are adjustable upon your request.
- \* Contact us if you don't find your specs or motors. Suitable ones would be introduced to you by us.



# HT-SOG32A

Spur Geared DC Motor

Brushed DC Gearmotor

WEIGHT: 145g(APPROX)

### Performance Range

Voltage: 12~24VDC  
 Speed: 10~500rpm  
 Torque: 0.5~20kg.cm

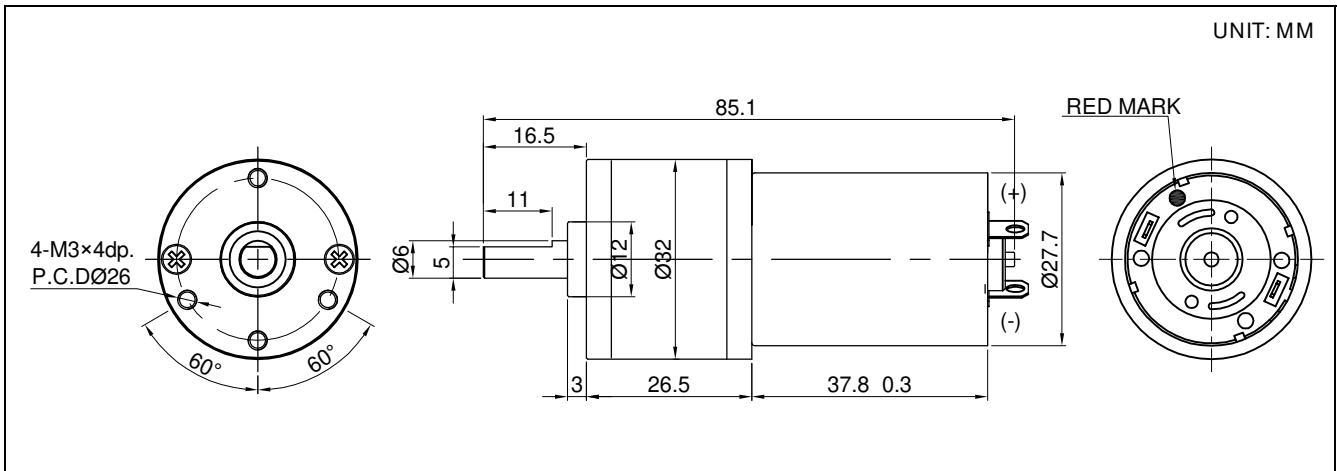
### Advantage

Low Cost  
 carbon brush

### Typical Applications

Sensor Towel  
 Robotics and Shredder  
 Vending and Banking System

Gear Ratio Stage	3	4	5	6
Gear Ratio	13.4	40	73	170
		45.5	94	219
		52	121	282
			136	362
			155	409
				466
Gearbox Length(L)	26.5			



MODEL	VOLTAGE		NO LOAD		AT MAX EFFICIENCY			AT STALL	
	OPERATION RANGE	NOMINAL	SPEED	CURRENT	SPEED	CURRENT	TORQUE	CURRENT	TORQUE
			r/min	A	r/min	A	kg.cm	A	kg.cm
HT-SOG32A-12450	6.0-14.0	12VDC	450	≤0.20	380	≤0.70	0.65	≤3.55	2.55
HT-SOG32A-12155	6.0-14.0	12VDC	155	≤0.20	125	≤0.70	1.85	≤3.55	7.2
HT-SOG32A-12135	6.0-14.0	12VDC	135	≤0.20	115	≤0.70	2.05	≤3.55	8.5
HT-SOG32A-12116	6.0-14.0	12VDC	116	≤0.20	95	≤0.70	2.35	≤3.55	9.05
HT-SOG32A-1280	6.0-14.0	12VDC	80	≤0.20	68	≤0.70	3.05	≤3.55	12.55
HT-SOG32A-1265	6.0-14.0	12VDC	65	≤0.20	52	≤0.70	3.85	≤3.55	16.25
HT-SOG32A-1250	6.0-14.0	12VDC	50	≤0.20	42	≤0.70	5.05	≤3.55	20.55
HT-SOG32A-1242	6.0-14.0	12VDC	42	≤0.20	35	≤0.70	5.65	≤3.55	24.55
HT-SOG32A-1235	6.0-14.0	12VDC	35	≤0.20	30	≤0.70	6.05	≤3.55	26
HT-SOG32A-1227	6.0-14.0	12VDC	27	≤0.20	23	≤0.70	7.5	≤3.55	30
HT-SOG32A-1215	6.0-14.0	12VDC	15	≤0.20	12	≤0.70	14.05	≤3.55	45*

Remarks:

1. Shaft dimension can be customized.
2. The Voltage can be 6V, 9V, 12V, 24V; The DC Motor's speed is adjustable.
3. This gearbox can matched with other DC Motor.



- \* The datasheet is only for your reference.
- \* The parameter in the following table are adjustable upon your request.
- \* Contact us if you don't find your specs or motors. Suitable ones would be introduced to you by us.



# HT-SOG32B

**Precise Metal Gearbox**

WEIGHT: 145g(APPROX)

**Performance Range**

Voltage: 3~24VDC  
 Speed: 1~600rpm  
 Torque: 0.5~15kg.cm

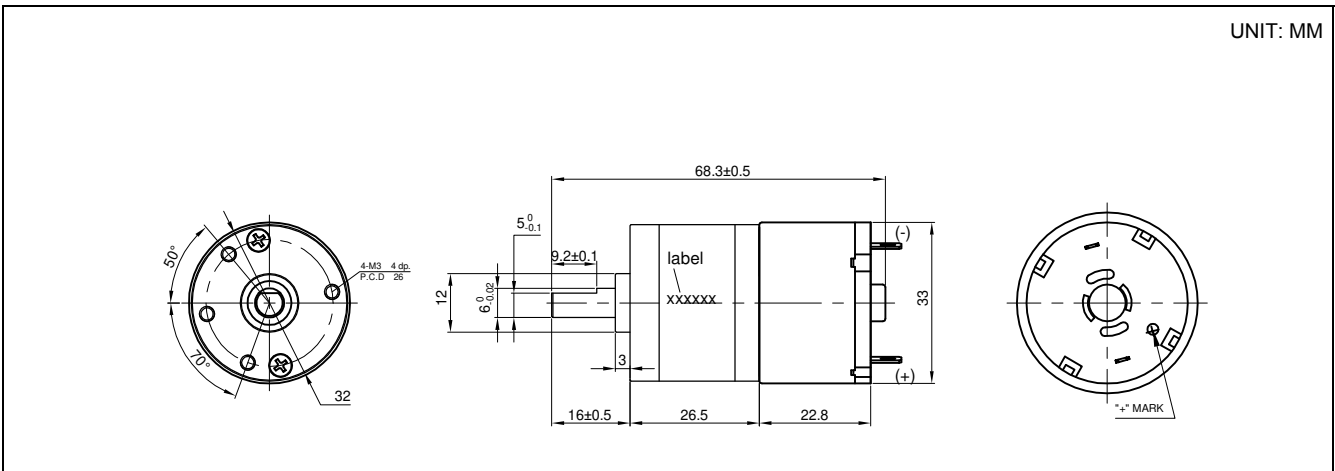
**Advantage**

Low cost  
 Low noise

**Typical Applications**

Sensor Towel  
 Robotics and Shredder  
 Vending and Banking System

Gear Ratio Stage	3	4	5	6
Gear Ratio	13.4	40	73	170
		45.5	94	219
		52	121	282
			136	362
			155	409
				466
Gearbox Length(L)	26.5			



MODEL	VOLTAGE		NO LOAD		AT MAX EFFICIENCY			AT STALL	
	OPERATION RANGE	NOMINAL	SPEED	CURRENT	SPEED	CURRENT	TORQUE	CURRENT	TORQUE
			r/min	A	r/min	A	kg.cm	A	kg.cm
HT-SOG32B-6252	6.0-12.0	6VDC	252	≤0.06	185	≤0.25	0.35	≤1.25	1.35
HT-SOG32B-0680	6.0-12.0	6VDC	80	≤0.06	60	≤0.25	0.85	≤1.25	3.35
HT-SOG32B-0672	6.0-12.0	6VDC	72	≤0.06	53	≤0.25	1.05	≤1.25	4.35
HT-SOG32B-0664	6.0-12.0	6VDC	64	≤0.06	45	≤0.25	1.15	≤1.25	4.85
HT-SOG32B-0645	6.0-12.0	6VDC	45	≤0.06	32	≤0.25	1.55	≤1.25	6.75
HT-SOG32B-0635	6.0-12.0	6VDC	35	≤0.06	25	≤0.25	2.05	≤1.25	8.2
HT-SOG32B-0624	6.0-12.0	6VDC	24	≤0.06	17	≤0.25	3.05	≤1.25	13.75
HT-SOG32B-0618	6.0-12.0	6VDC	18	≤0.06	12	≤0.25	3.55	≤1.25	15.25
HT-SOG32B-0612	6.0-12.0	6VDC	12	≤0.06	8	≤0.25	6.1	≤1.25	24
HT-SOG32B-0609	6.0-12.0	6VDC	9	≤0.06	6	≤0.25	7.65	≤1.25	31
HT-SOG32B-0608	6.0-12.0	6VDC	8	≤0.06	5.5	≤0.25	8.05	≤1.25	32
HT-SOG32B-0607	6.0-12.0	6VDC	7	≤0.06	5	≤0.25	9.25	≤1.25	36

Remarks:

1. Shaft dimension can be customized.
2. The Voltage can be 3V, 6V, 9V, 12V, 24V; The DC Motor's speed is adjustable.
3. This gearbox can matched with other DC Motor.

\* The datasheet is only for your reference.

\* The parameter in the following table are adjustable upon your request.

\* Contact us if you don't find your specs or motors. Suitable ones would be introduced to you by us.



# HT-SOG32C

**Precise Metal Gearbox**

WEIGHT: 145g(APPROX)

**Performance Range**

Voltage: 3~24VDC  
 Speed: 1~600rpm  
 Torque: 0.5~15kg.cm

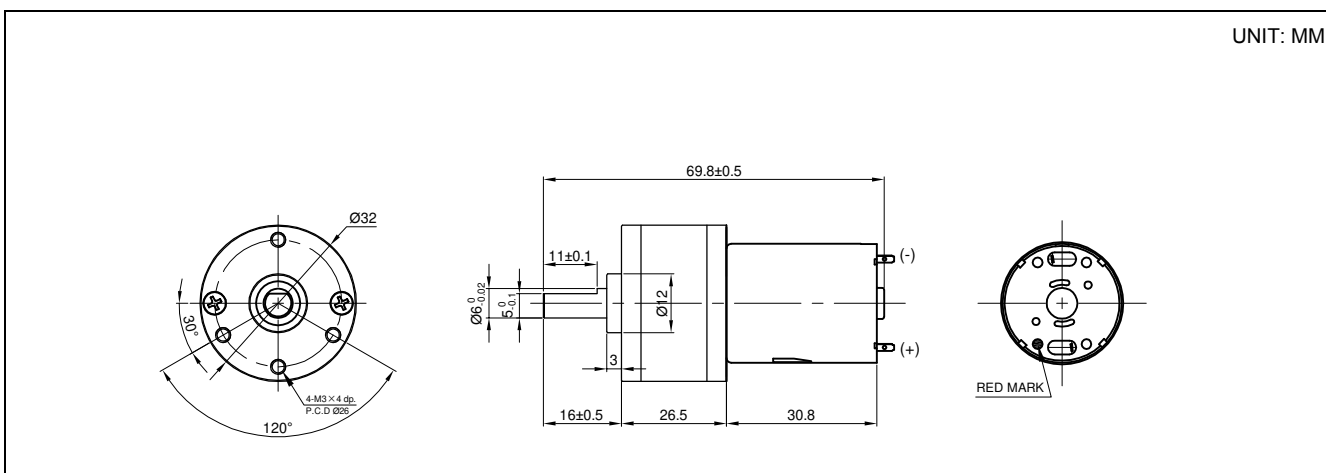
**Advantage**

Low cost  
 Low noise

**Typical Applications**

Sensor Towel  
 Robotics and Shredder  
 Vending and Banking System

Gear Ratio Stage	3	4	5	6
Gear Ratio	13.4	40	73	170
		45.5	94	219
		52	121	282
			136	362
			155	409
				466
Gearbox Length(L)	26.5			



MODEL	VOLTAGE		NO LOAD		AT MAX EFFICIENCY			AT STALL	
	OPERATION RANGE	NOMINAL	SPEED	CURRENT	SPEED	CURRENT	TORQUE	CURRENT	TORQUE
			r/min	A	r/min	A	kg.cm	A	kg.cm
HT-SOG32C-12450	6.0-14.0	12VDC	450	≤0.06	385	≤0.16	0.3	≤0.95	1.55
HT-SOG32C-12150	6.0-14.0	12VDC	150	≤0.06	122	≤0.16	0.82	≤0.95	4.25
HT-SOG32C-12118	6.0-14.0	12VDC	118	≤0.06	98	≤0.16	1.15	≤0.95	5.75
HT-SOG32C-1284	6.0-14.0	12VDC	84	≤0.06	70	≤0.16	1.55	≤0.95	7.75
HT-SOG32C-1265	6.0-14.0	12VDC	65	≤0.06	52	≤0.16	2.05	≤0.95	8.5
HT-SOG32C-1250	6.0-14.0	12VDC	50	≤0.06	40	≤0.16	2.5	≤0.95	10.85
HT-SOG32C-1244	6.0-14.0	12VDC	44	≤0.06	35	≤0.16	2.95	≤0.95	12.75
HT-SOG32C-1235	6.0-14.0	12VDC	35	≤0.06	30	≤0.16	3.55	≤0.95	14.25
HT-SOG32C-1227	6.0-14.0	12VDC	27	≤0.06	24	≤0.16	4.6	≤0.95	18
HT-SOG32C-1222	6.0-14.0	12VDC	22	≤0.06	18	≤0.16	6.1	≤0.95	24
HT-SOG32C-1215	6.0-14.0	12VDC	15	≤0.06	12	≤0.16	8.05	≤0.95	32
HT-SOG32C-1213	6.0-14.0	12VDC	13	≤0.06	10	≤0.16	9.25	≤0.95	37

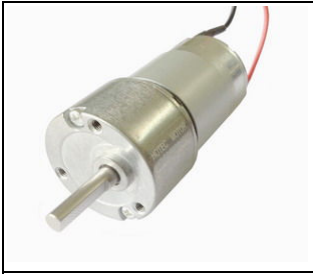
Remarks:

1. Shaft dimension can be customized.
2. The Voltage can be 3V, 6V, 9V, 12V, 24V; The DC Motor's speed is adjustable.
3. This gearbox can matched with other DC Motor.

\* The datasheet is only for your reference.

\* The parameter in the following table are adjustable upon your request.

\* Contact us if you don't find your specs or motors. Suitable ones would be introduced to you by us.



# HT-SOG33

**Precise Metal Gearbox**

WEIGHT: 145g(APPROX)

**Performance Range**

Voltage: 3~24VDC  
 Speed: 1~600rpm  
 Torque: 0.5~20kg.cm

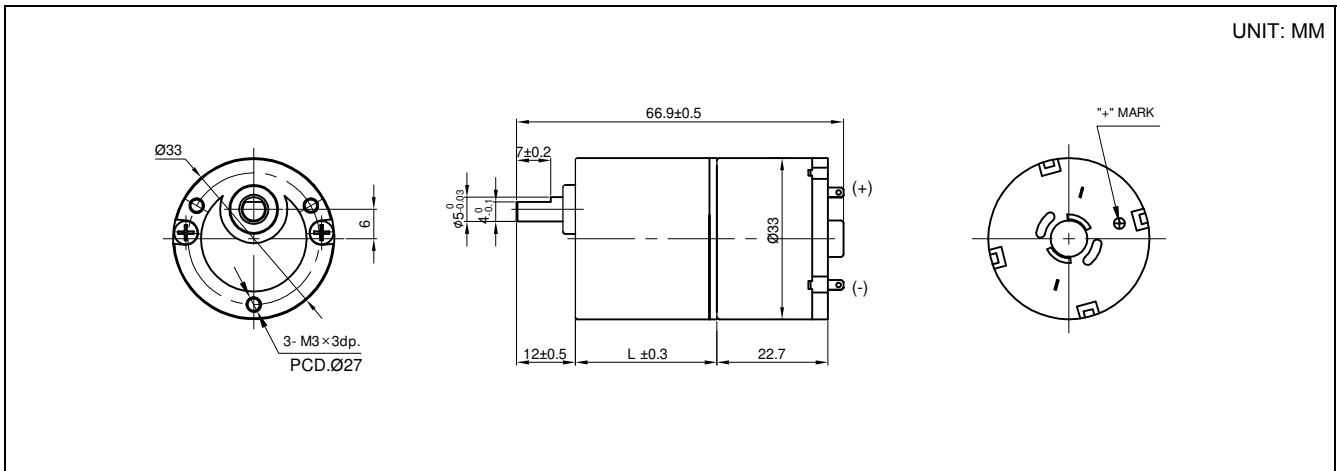
**Advantage**

Low cost  
 Low noise

**Typical Applications**

Electric valves  
 Industrial products  
 IoT products

Gear Ratio Stage	3	4	5	6	7	8
Gear Ratio	8	18	44	106	255	1956
			52	124	299	
			61			
Gearbox Length(L)	22.5			27.5		29.2



MODEL	VOLTAGE		NO LOAD		AT MAX EFFICIENCY			AT STALL	
	OPERATION RANGE	NOMINAL	SPEED	CURRENT	SPEED	CURRENT	TORQUE	CURRENT	TORQUE
			r/min	A	r/min	A	kg.cm	A	kg.cm
HT-SOG33-6723	3.0-9.0	6VDC	723	≤0.12	600	≤0.27	0.11	≤0.8	0.5
HT-SOG33-6298	3.0-9.0	6VDC	298	≤0.12	244	≤0.27	0.24	≤0.8	1
HT-SOG33-6125	3.0-9.0	6VDC	125	≤0.12	102	≤0.27	0.51	≤0.8	2.55
HT-SOG33-6105	3.0-9.0	6VDC	105	≤0.12	86	≤0.27	0.58	≤0.8	2.9
HT-SOG33-690	3.0-9.0	6VDC	90	≤0.12	74	≤0.27	0.66	≤0.8	3.3
HT-SOG33-0652	3.0-9.0	6VDC	52	≤0.12	42	≤0.27	1.1	≤0.8	5.5
HT-SOG33-0644	3.0-9.0	6VDC	44	≤0.12	36	≤0.27	1.32	≤0.8	6.6
HT-SOG33-0622	3.0-9.0	6VDC	22	≤0.12	18	≤0.27	2.4	≤0.8	12
HT-SOG33-0618	3.0-9.0	6VDC	18	≤0.12	15	≤0.27	2.9	≤0.8	15
HT-SOG33-0609	3.0-9.0	6VDC	9	≤0.12	7.3	≤0.27	5.1	≤0.8	25.5
HT-SOG33-067.8	3.0-9.0	6VDC	7.8	≤0.12	6.3	≤0.27	6	≤0.8	30
HT-SOG33-4.52.9	3.0-6.0	4.5VDC	2.9	≤0.15	2.6	≤0.34	15.5	≤1.0	40

**Remarks:**

1. Shaft dimension can be customized.
2. The Voltage can be 3V, 6V, 9V, 12V, 24V; The DC Motor's speed is adjustable.
3. This gearbox can matched with other DC Motor.

\* The datasheet is only for your reference.

\* The parameter in the following table are adjustable upon your request.

\* Contact us if you don't find your specs or motors. Suitable ones would be introduced to you by us.



# HT-SOG37A

Brushed DC Gearmotor

Spur Geared DC Motor

WEIGHT: 400g(APPROX)

### Performance Range

Voltage: 6~24VDC  
 Speed: 1~1600rpm  
 Torque: 0.5~90kg.cm

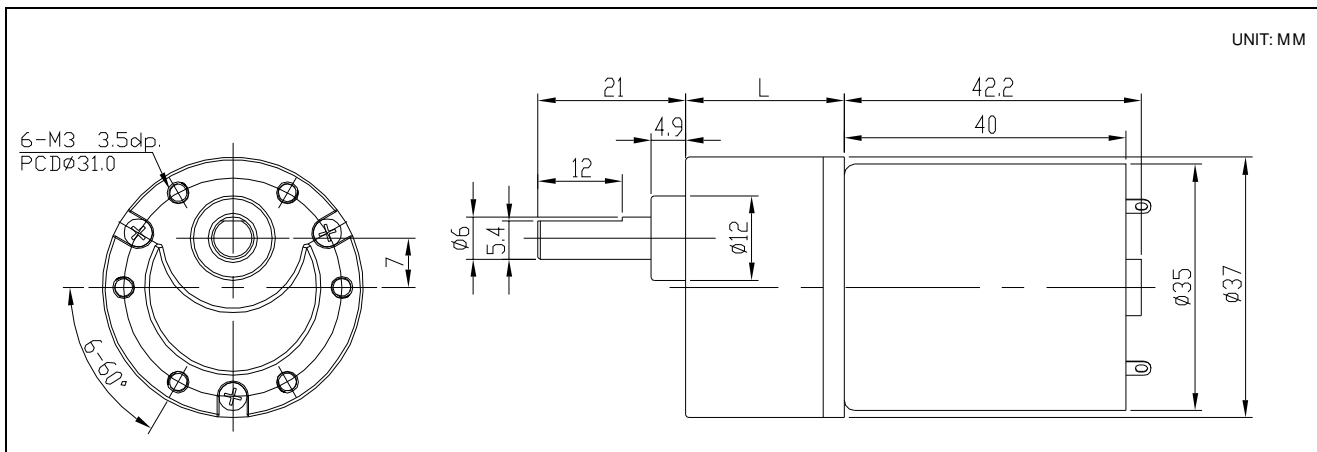
### Advantage

Low Cost  
 carbon brush

### Typical Applications

Vending and Banking System  
 Sanitary and Cleaning  
 Robotics and Equipment

Gear Ratio Stage	2	3	4	5	6
Gear Ratio	10	20	50	120	450
		30	70	150	490
			90	210	630
				270	810
Gearbox Length(L)	22.5			27.5	



MODEL	VOLTAGE		NO LOAD		AT MAX EFFICIENCY			AT STALL	
	OPERATION RANGE	NOMINAL	SPEED	CURRENT	SPEED	CURRENT	TORQUE	CURRENT	TORQUE
			r/min	A	r/min	A	kg.cm	A	kg.cm
HT-SOG37A-24600	12.0-28.0	24.0	600	$\leq 0.05$	492	$\leq 0.25$	1.6	$\leq 1.2$	8
HT-SOG37A-24300	12.0-28.0	24.0	300	$\leq 0.05$	240	$\leq 0.25$	3.2	$\leq 1.2$	16
HT-SOG37A-24200	12.0-28.0	24.0	200	$\leq 0.05$	160	$\leq 0.25$	4.8	$\leq 1.2$	24
HT-SOG37A-24120	12.0-28.0	24.0	120	$\leq 0.05$	91	$\leq 0.25$	7.5	$\leq 1.2$	40
HT-SOG37A-1285	12.0-28.0	24.0	86	$\leq 0.05$	64	$\leq 0.25$	10.5	$\leq 1.2$	56
HT-SOG37A-2467	12.0-28.0	24.0	67	$\leq 0.05$	50	$\leq 0.25$	13.5	$\leq 1.2$	72
HT-SOG37A-2450	12.0-28.0	24.0	50	$\leq 0.05$	37	$\leq 0.25$	17	$\leq 1.2$	96
HT-SOG37A-2440	12.0-28.0	24.0	40	$\leq 0.05$	29	$\leq 0.25$	22	$\leq 1.2$	100*
HT-SOG37A-2429	12.0-28.0	24.0	29	$\leq 0.05$	21	$\leq 0.25$	30	$\leq 1.2$	100*
HT-SOG37A-2422	12.0-28.0	24.0	22	$\leq 0.05$	15	$\leq 0.25$	38	$\leq 1.2$	100*
HT-SOG37A-2413	12.0-28.0	24.0	13	$\leq 0.05$	9	$\leq 0.25$	63	$\leq 1.2$	100*
HT-SOG37A-2412	12.0-28.0	24.0	12	$\leq 0.05$	8.5	$\leq 0.25$	67	$\leq 1.2$	100*
HT-SOG37A-249.5	12.0-28.0	24.0	9.5	$\leq 0.05$	6	$\leq 0.25$	82	$\leq 1.2$	100*
HT-SOG37A-2407	12.0-28.0	24.0	7	$\leq 0.05$	4.5	$\leq 0.25$	100*	$\leq 1.2$	100*

Remarks:

1. Shaft dimension can be customized.
2. The Voltage can be 6V, 9V, 12V, 24V; The DC Motor's speed is adjustable.
3. This gearbox can matched with other DC Motor.

- \* The datasheet is only for your reference.
- \* The parameter in the following table are adjustable upon your request.
- \* Contact us if you don't find your specs or motors. Suitable ones would be introduced to you by us.



# HT-SOG37B

Spur Geared DC Motor

Brushed DC Gearmotor

WEIGHT: 200g(APPROX)

### Performance Range

Voltage: 6~24VDC  
 Speed: 1~1600rpm  
 Torque: 0.5~90kg.cm

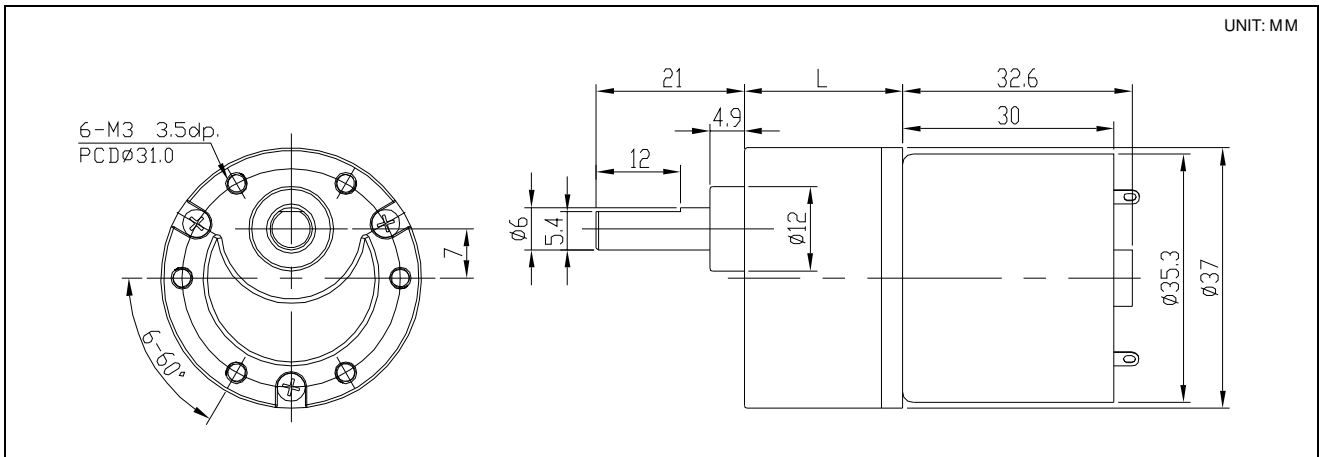
### Advantage

Low Cost  
 carbon brush

### Typical Applications

Vending and Banking System  
 Sanitary and Cleaning  
 Robotics and Equipment

Gear Ratio Stage	2	3	4	5	6
Gear Ratio	10	20	50	120	450
		30	70	150	490
			90	210	630
				270	810
Gearbox Length(L)	22.5			27.5	



MODEL	VOLTAGE		NO LOAD		AT MAX EFFICIENCY			AT STALL	
	OPERATION RANGE	NOMINAL	SPEED	CURRENT	SPEED	CURRENT	TORQUE	CURRENT	TORQUE
			r/min	A	r/min	A	kg.cm	A	kg.cm
HT-SOG37B-24500	12.0-28.0	24.0	500	≤0.05	400	≤0.22	1.2	≤1.2	6
HT-SOG37B-24250	12.0-28.0	24.0	250	≤0.05	200	≤0.22	2.4	≤1.2	12
HT-SOG37B-24167	12.0-28.0	24.0	167	≤0.05	133	≤0.22	3.6	≤1.2	18
HT-SOG37B-24100	12.0-28.0	24.0	100	≤0.05	78	≤0.22	5.7	≤1.2	30
HT-SOG37B-2471	12.0-28.0	24.0	71	≤0.05	55	≤0.22	8	≤1.2	42
HT-SOG37B-2455	12.0-28.0	24.0	55	≤0.05	42	≤0.22	10	≤1.2	54
HT-SOG37B-2442	12.0-28.0	24.0	42	≤0.05	32	≤0.22	13	≤1.2	72
HT-SOG37B-2433	12.0-28.0	24.0	33	≤0.05	25	≤0.22	16	≤1.2	90
HT-SOG37B-2424	12.0-28.0	24.0	24	≤0.05	18	≤0.22	23	≤1.2	100*
HT-SOG37B-2418	12.0-28.0	24.0	18	≤0.05	13	≤0.22	29	≤1.2	100*
HT-SOG37B-2411	12.0-28.0	24.0	11	≤0.05	8	≤0.22	47	≤1.2	100*
HT-SOG37B-2410	12.0-28.0	24.0	10	≤0.05	7	≤0.22	51	≤1.2	100*
HT-SOG37B-2408	12.0-28.0	24.0	8	≤0.05	5	≤0.22	61	≤1.2	100*
HT-SOG37B-2406	12.0-28.0	24.0	6	≤0.05	4	≤0.22	79	≤1.2	100*

Remarks:

1. Shaft dimension can be customized.
2. The Voltage can be 6V, 9V, 12V, 24V; The DC Motor's speed is adjustable.
3. This gearbox can matched with other DC Motor.

- \* The datasheet is only for your reference.
- \* The parameter in the following table are adjustable upon your request.
- \* Contact us if you don't find your specs or motors. Suitable ones would be introduced to you by us.



# HT-SOG37C

Spur Geared DC Motor

Brushed DC Gearmotor

WEIGHT: 200g(APPROX)

### Performance Range

Voltage: 6~12VDC  
 Speed: 1~1600rpm  
 Torque: 0.5~90kg.cm

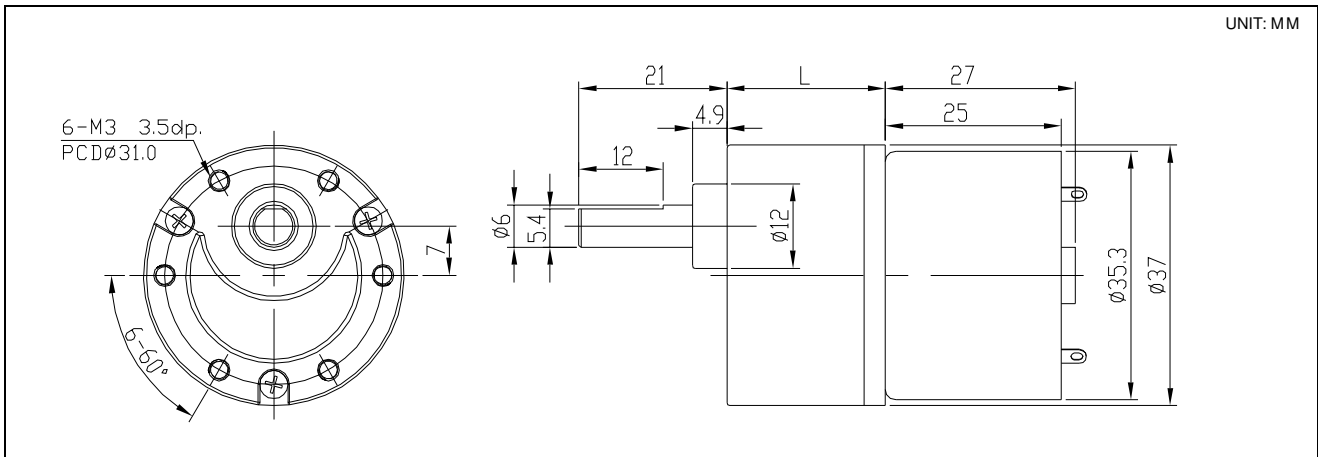
### Advantage

Low Cost  
 carbon brush

### Typical Applications

Vending and Banking System  
 Sanitary and Cleaning  
 Robotics and Equipment

Gear Ratio Stage	2	3	4	5	6
Gear Ratio	10	20	50	120	450
		30	70	150	490
			90	210	630
				270	810
Gearbox Length(L)	22.5			27.5	



MODEL	VOLTAGE		NO LOAD		AT MAX EFFICIENCY			AT STALL	
	OPERATION RANGE	NOMINAL	SPEED	CURRENT	SPEED	CURRENT	TORQUE	CURRENT	TORQUE
			r/min	A	r/min	A	kg.cm	A	kg.cm
HT-SOG37C-12500	6.0-12.0	12.0	500	≤0.06	400	≤0.22	0.8	≤1.2	3
HT-SOG37C-12250	6.0-12.0	12.0	250	≤0.06	200	≤0.22	1.6	≤1.2	6
HT-SOG37C-12167	6.0-12.0	12.0	167	≤0.06	133	≤0.22	2.4	≤1.2	9
HT-SOG37C-12100	6.0-12.0	12.0	100	≤0.06	78	≤0.22	3.9	≤1.2	15
HT-SOG37C-1271	6.0-12.0	12.0	71	≤0.06	55	≤0.22	5.5	≤1.2	21
HT-SOG37C-1255	6.0-12.0	12.0	55	≤0.06	42	≤0.22	7	≤1.2	27
HT-SOG37C-1242	6.0-12.0	12.0	42	≤0.06	32	≤0.22	9	≤1.2	45
HT-SOG37C-1233	6.0-12.0	12.0	33	≤0.06	25	≤0.22	11	≤1.2	63
HT-SOG37C-1212	6.0-12.0	12.0	12	≤0.06	18	≤0.22	15	≤1.2	81
HT-SOG37C-1218	6.0-12.0	12.0	18	≤0.06	13	≤0.22	20	≤1.2	100*
HT-SOG37C-1211	6.0-12.0	12.0	11	≤0.06	8	≤0.22	31	≤1.2	100*
HT-SOG37C-1210	6.0-12.0	12.0	10	≤0.06	7	≤0.22	34	≤1.2	100*
HT-SOG37C-1208	6.0-12.0	12.0	8	≤0.06	5	≤0.22	41	≤1.2	100*
HT-SOG37C-1206	6.0-12.0	12.0	6	≤0.06	4	≤0.22	52	≤1.2	100*

Remarks:

1. Shaft dimension can be customized.
2. The Voltage can be 6V, 9V, 12V, 24V; The DC Motor's speed is adjustable.
3. This gearbox can matched with other DC Motor.

- \* The datasheet is only for your reference.
- \* The parameter in the following table are adjustable upon your request.
- \* Contact us if you don't find your specs or motors. Suitable ones would be introduced to you by us.



# HT-SOG37D

Spur Geared DC Motor

Brushed DC Gearmotor

WEIGHT: 400g(APPROX)

### Performance Range

Voltage: 6~24VDC  
 Speed: 1~1600rpm  
 Torque: 1~100kg.cm

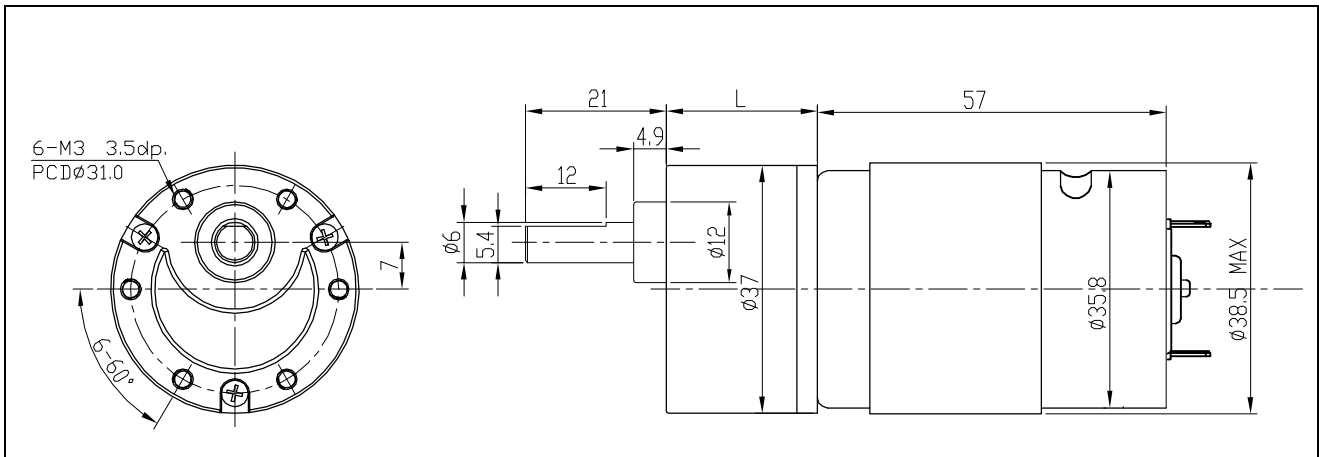
### Advantage

Low Cost  
 carbon brush

### Typical Applications

Vending and Banking System  
 Sanitary and Cleaning  
 Robotics and Equipment

Gear Ratio Stage	2	3	4	5	6
Gear Ratio	10	20	50	120	450
		30	70	150	490
			90	210	630
				270	810
Gearbox Length(L)	24.5			29	



MODEL	VOLTAGE		NO LOAD		AT MAX EFFICIENCY			AT STALL	
	OPERATION RANGE	NOMINAL	SPEED	CURRENT	SPEED	CURRENT	TORQUE	CURRENT	TORQUE
			r/min	A	r/min	A	kg.cm	A	kg.cm
HT-SOG37D-24600	12.0-28.0	24.0	600	≤0.2	492	≤1.0	2.4	≤4.0	12
HT-SOG37D-24300	12.0-28.0	24.0	300	≤0.2	240	≤1.0	4.7	≤4.0	24
HT-SOG37D-24200	12.0-28.0	24.0	200	≤0.2	160	≤1.0	7	≤4.0	36
HT-SOG37D-24120	12.0-28.0	24.0	120	≤0.2	91	≤1.0	11	≤4.0	60
HT-SOG37D-1285	12.0-28.0	24.0	86	≤0.2	64	≤1.0	15.5	≤4.0	84
HT-SOG37D-2467	12.0-28.0	24.0	67	≤0.2	50	≤1.0	20	≤4.0	108
HT-SOG37D-2450	12.0-28.0	24.0	50	≤0.2	37	≤1.0	25	≤4.0	144
HT-SOG37D-2440	12.0-28.0	24.0	40	≤0.2	29	≤1.0	31	≤4.0	150*
HT-SOG37D-2429	12.0-28.0	24.0	29	≤0.2	21	≤1.0	44	≤4.0	150*
HT-SOG37D-2422	12.0-28.0	24.0	22	≤0.2	15	≤1.0	56	≤4.0	150*
HT-SOG37D-2413	12.0-28.0	24.0	13	≤0.2	9	≤1.0	91	≤4.0	150*
HT-SOG37D-2412	12.0-28.0	24.0	12	≤0.2	8.5	≤1.0	100*	≤4.0	150*
HT-SOG37D-249.5	12.0-28.0	24.0	9.5	≤0.2	6	≤1.0	100*	≤4.0	150*
HT-SOG37D-2407	12.0-28.0	24.0	7	≤0.2	4.5	≤1.0	100*	≤4.0	150*

Remarks:

1. Shaft dimension can be customized.
2. The Voltage can be 6V, 9V, 12V, 24V; The DC Motor's speed is adjustable.
3. This gearbox can matched with other DC Motor.

- \* The datasheet is only for your reference.
- \* The parameter in the following table are adjustable upon your request.
- \* Contact us if you don't find your specs or motors. Suitable ones would be introduced to you by us.



# HT-SOG37E

Brushed DC Gearmotor

Spur Geared DC Motor

WEIGHT: 160g(APPROX)

### Performance Range

Voltage: 3~24VDC  
 Speed: 1~1600rpm  
 Torque: 0.5~100kg.cm

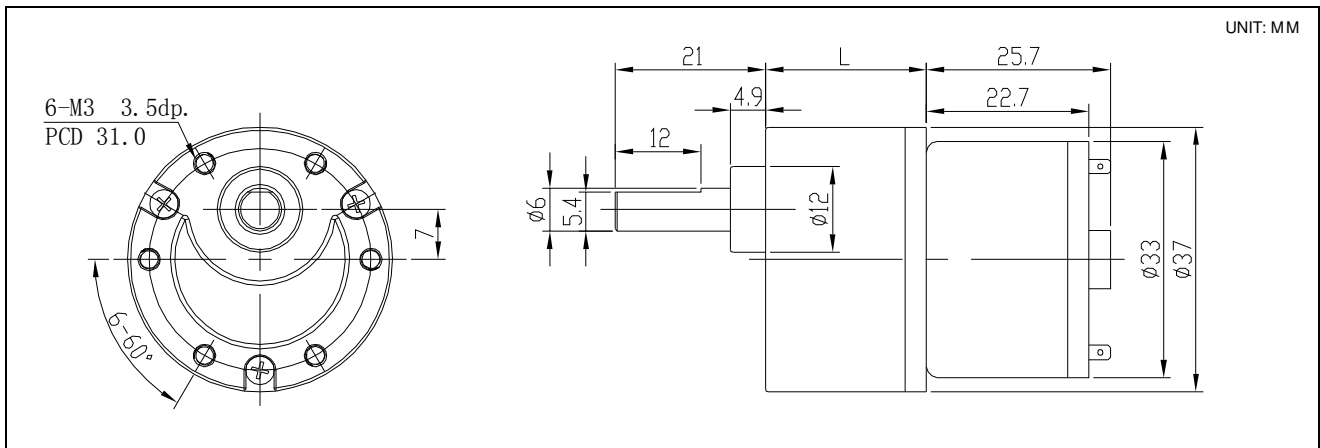
### Advantage

Low Cost  
 Carbon brush

### Typical Applications

Vending and Banking System  
 Sanitary and Cleaning  
 Robotics and Equipment

Gear Ratio Stage	2	3	4	5	6
Gear Ratio	10	20	50	120	450
		30	70	150	490
			90	210	630
				270	810
Gearbox Length(L)	22.5			27.5	



MODEL	VOLTAGE		NO LOAD		AT MAX EFFICIENCY			AT STALL	
	OPERATION RANGE	NOMINAL	SPEED	CURRENT	SPEED	CURRENT	TORQUE	CURRENT	TORQUE
			r/min	A	r/min	A	kg.cm	A	kg.cm
HT-SOG37E-12150	3.0-12.0	6	400	≤0.07	320	≤0.29	0.2	≤1.6	1.3
HT-SOG37E-12100	3.0-12.0	6	200	≤0.07	160	≤0.29	0.4	≤1.6	2.6
HT-SOG37E-1266	3.0-12.0	6	133	≤0.07	102	≤0.29	0.6	≤1.6	3.9
HT-SOG37E-1250	3.0-12.0	6	80	≤0.07	60	≤0.29	0.95	≤1.6	6.5
HT-SOG37E-1234	3.0-12.0	6	57	≤0.07	43	≤0.29	1.4	≤1.6	9
HT-SOG37E-1225	3.0-12.0	6	44	≤0.07	33	≤0.29	1.7	≤1.6	11.7
HT-SOG37E-1220	3.0-12.0	6	33	≤0.07	25	≤0.29	2.3	≤1.6	15.6
HT-SOG37E-1216	3.0-12.0	6	27	≤0.07	19	≤0.29	2.7	≤1.6	19.5
HT-SOG37E-1214	3.0-12.0	6	19	≤0.07	14	≤0.29	4	≤1.6	27
HT-SOG37E-1211	3.0-12.0	6	15	≤0.07	11	≤0.29	5	≤1.6	35
HT-SOG37E-1206	3.0-12.0	6	9	≤0.07	6.2	≤0.29	8	≤1.6	58
HT-SOG37E-125.5	3.0-12.0	6	8	≤0.07	5.7	≤0.29	8.6	≤1.6	63
HT-SOG37E-123.7	3.0-12.0	6	6	≤0.07	4	≤0.29	11	≤1.6	81
HT-SOG37E-121.8	3.0-12.0	6	5	≤0.07	3	≤0.29	13	≤1.6	100*

Remarks:

1. Shaft dimension can be customized.
2. The Voltage can be 3.0V, 4.5V, 6V, 9V, 12V, 24V; The DC Motor's speed is adjustable.
3. This gearbox can matched with other DC Motor.



\* The datasheet is only for your reference.

\* The parameter in the following table are adjustable upon your request.

\* Contact us if you don't find your specs or motors. Suitable ones would be introduced to you by us.



# HT-SOG37F

Brushed DC Gearmotor

Spur Geared DC Motor

WEIGHT: 160g(APPROX)

### Performance Range

Voltage: 3~24VDC  
 Speed: 1~1600rpm  
 Torque: 0.5~100kg.cm

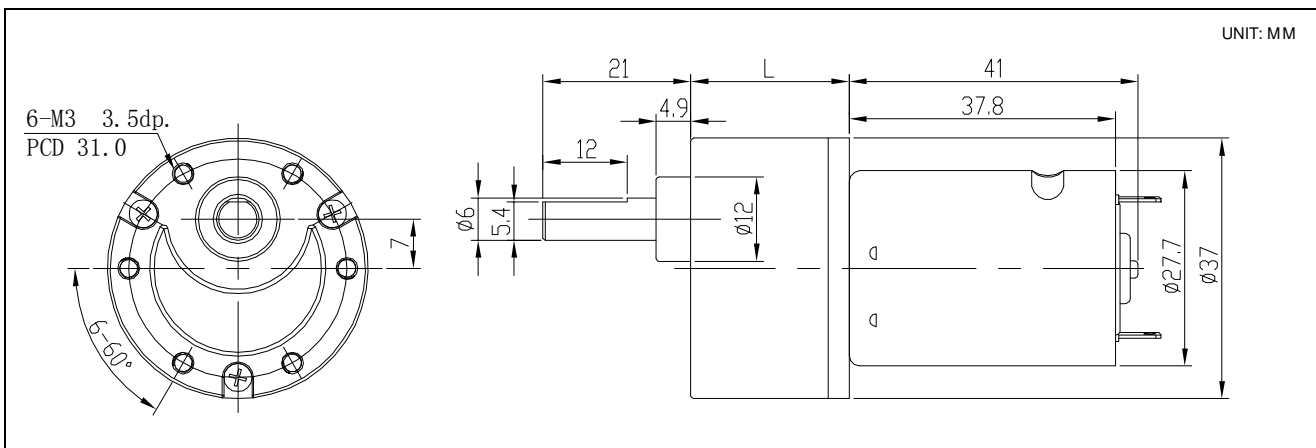
### Advantage

Low Cost  
 Carbon brush

### Typical Applications

Vending and Banking System  
 Sanitary and Cleaning  
 Robotics and Equipment

Gear Ratio Stage	2	3	4	5	6
Gear Ratio	10	20	50	120	450
		30	70	150	490
			90	210	630
				270	810
Gearbox Length(L)	22.5			27.5	



MODEL	VOLTAGE		NO LOAD		AT MAX EFFICIENCY			AT STALL	
	OPERATION RANGE	NOMINAL	SPEED	CURRENT	SPEED	CURRENT	TORQUE	CURRENT	TORQUE
			r/min	A	r/min	A	kg.cm	A	kg.cm
HT-SOG37F-24600	12.0-28.0	24.0	600	≤0.07	492	≤0.3	0.8	≤1.2	3.2
HT-SOG37F-24300	12.0-28.0	24.0	300	≤0.07	240	≤0.3	1.6	≤1.2	6.4
HT-SOG37F-24200	12.0-28.0	24.0	200	≤0.07	160	≤0.3	2.4	≤1.2	9.6
HT-SOG37F-24120	12.0-28.0	24.0	120	≤0.07	91	≤0.3	4	≤1.2	16
HT-SOG37F-1285	12.0-28.0	24.0	86	≤0.07	64	≤0.3	5.5	≤1.2	22.4
HT-SOG37F-2467	12.0-28.0	24.0	67	≤0.07	50	≤0.3	7	≤1.2	28.8
HT-SOG37F-2450	12.0-28.0	24.0	50	≤0.07	37	≤0.3	9	≤1.2	38
HT-SOG37F-2440	12.0-28.0	24.0	40	≤0.07	29	≤0.3	11	≤1.2	48
HT-SOG37F-2429	12.0-28.0	24.0	29	≤0.07	21	≤0.3	16	≤1.2	67
HT-SOG37F-2422	12.0-28.0	24.0	22	≤0.07	15	≤0.3	20	≤1.2	86
HT-SOG37F-2413	12.0-28.0	24.0	13	≤0.07	9	≤0.3	32	≤1.2	100*
HT-SOG37F-2412	12.0-28.0	24.0	12	≤0.07	8.5	≤0.3	34	≤1.2	100*
HT-SOG37F-249.5	12.0-28.0	24.0	9.5	≤0.07	6	≤0.3	41	≤1.2	100*
HT-SOG37F-2407	12.0-28.0	24.0	7	≤0.07	4.5	≤0.3	52	≤1.2	100*

Remarks:

1. Shaft dimension can be customized.
2. The Voltage can be 6V, 12V, 24V; The DC Motor's speed is adjustable.
3. This gearbox can matched with other DC Motor.

- \* The datasheet is only for your reference.
- \* The parameter in the following table are adjustable upon your request.
- \* Contact us if you don't find your specs or motors. Suitable ones would be introduced to you by us.



# HT-SOG37G

Brushed DC Gearmotor

Spur Geared DC Motor

WEIGHT: 150g(APPROX)

### Performance Range

Voltage: 3~24VDC  
 Speed: 30~600rpm  
 Torque: 0.1~15kg.cm

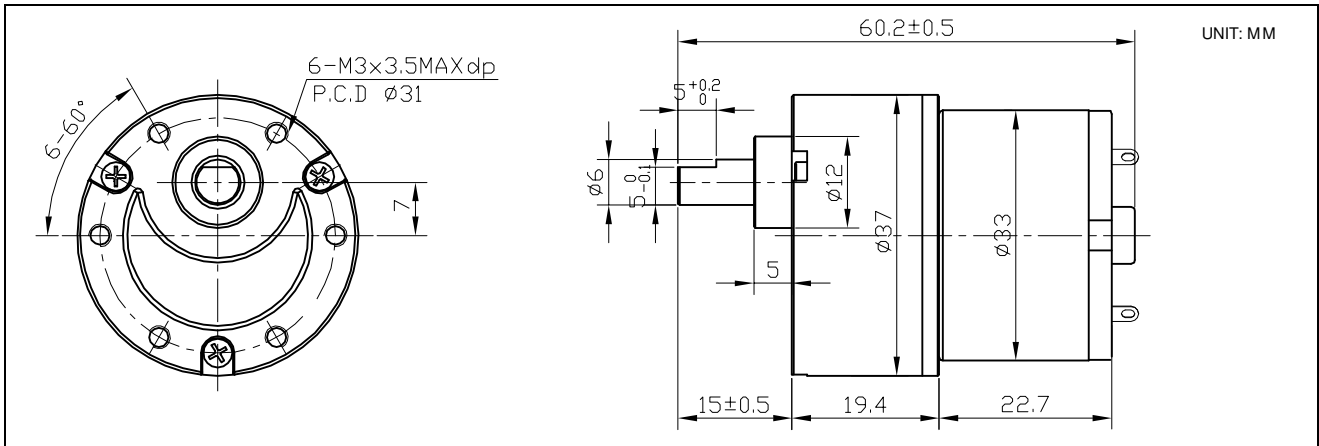
### Advantage

Low Cost  
 Carbon brush

### Typical Applications

Vending and Banking System  
 Sanitary and Cleaning  
 Electric valve

Gear Ratio Stage	2	3	4
	10	30	90
Gear Ratio			
Gearbox Length(L)	19.4		



MODEL	VOLTAGE		NO LOAD		AT MAX EFFICIENCY			AT STALL	
	OPERATION RANGE	NOMINAL	SPEED	CURRENT	SPEED	CURRENT	TORQUE	CURRENT	TORQUE
			r/min	A	r/min	A	kg.cm	A	kg.cm
HT-SOG37G-06330	1.5-4.5	3	320	≤0.70	260	≤0.28	0.19	≤1.6	0.8
HT-SOG37G-06110	1.5-4.5	3	106	≤0.70	86	≤0.28	0.5	≤1.6	2.4
HT-SOG37G-0636	1.5-4.5	3	35	≤0.70	25	≤0.32	2.2	≤1.6	7
HT-SOG37G-06330	3.0-9.0	6	330	≤0.50	270	≤0.22	0.2	≤1.1	0.9
HT-SOG37G-06110	3.0-9.0	6	110	≤0.50	90	≤0.26	0.55	≤1.1	2.7
HT-SOG37G-0636	3.0-9.0	6	36	≤0.60	27	≤0.29	2.5	≤1.1	8
HT-SOG37G-24600	12.0-28.0	24	600	≤0.45	495	≤0.20	0.25	≤0.8	1
HT-SOG37G-24200	12.0-28.0	24	200	≤0.45	154	≤0.20	0.62	≤0.8	3
HT-SOG37G-2466.6	12.0-28.0	24	66.6	≤0.45	48	≤0.22	2.5	≤0.8	9

Remarks:

1. Shaft dimension can be customized.
2. The Voltage can be 3.0V, 4.5V, 6V, 9V, 12V, 24V; The DC Motor's speed is adjustable.
3. This gearbox can matched with other DC Motor.

\* The datasheet is only for your reference.

\* The parameter in the following table are adjustable upon your request.

\* Contact us if you don't find your specs or motors. Suitable ones would be introduced to you by us.



# HT-SOG51A

Brushed DC Gearmotor

Spur Geared DC Motor

WEIGHT: 520g(APPROX)

### Performance Range

Voltage: 6~24VDC  
 Speed: 1~2000rpm  
 Torque: 1~500kg.cm

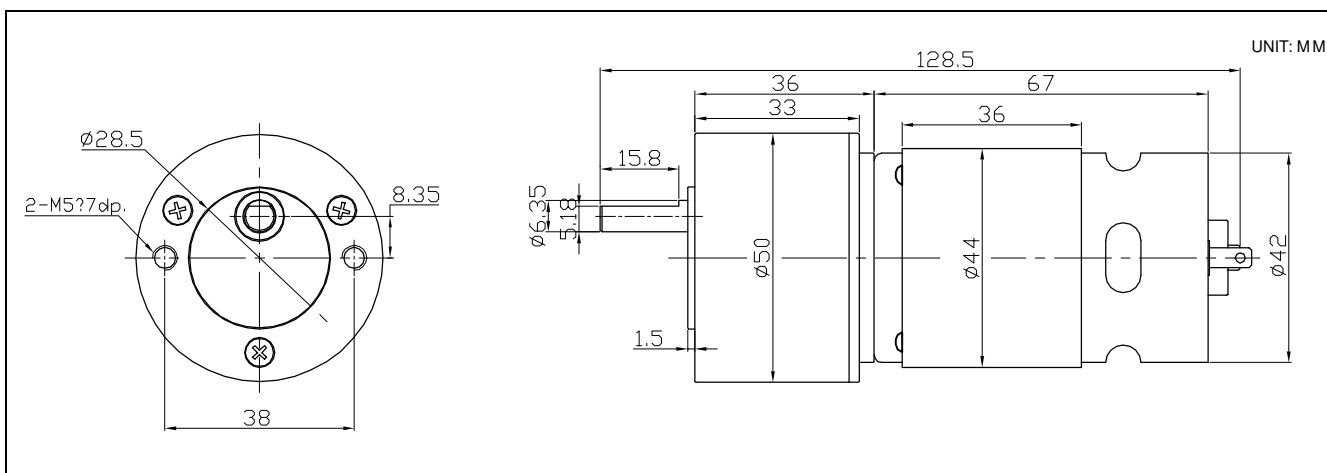
### Advantage

Low Cost  
 Carbon brush

### Typical Applications

Vending and Banking System  
 Equipment and Apparatus  
 Robotic

Gear Ratio Stage	2	3	4	5	6
Gear Ratio	5.9	19.7	65.5	218	728
	9.9	33	110	367	1223
Gearbox Length(L)	37.5				



MODEL	VOLTAGE		NO LOAD		AT MAX EFFICIENCY			AT STALL	
	OPERATION RANGE	NOMINAL	SPEED	CURRENT	SPEED	CURRENT	TORQUE	CURRENT	TORQUE
			r/min	A	r/min	A	kg.cm	A	kg.cm
HT-SOG51A-121200	9.0-28.0	12VDC	1200	≤0.9	1000	≤7.0	3.9	≤35	17.7
HT-SOG51A-12700	9.0-28.0	12VDC	700	≤0.9	600	≤7.0	5.8	≤35	29.7
HT-SOG51A-12375	9.0-28.0	12VDC	375	≤0.9	280	≤7.0	12.5	≤35	59
HT-SOG51A-12210	9.0-28.0	12VDC	210	≤0.9	168	≤7.0	18.5	≤35	99
HT-SOG51A-12110	9.0-28.0	12VDC	110	≤0.9	85	≤7.0	39	≤35	196
HT-SOG51A-1264	9.0-28.0	12VDC	64	≤0.9	48	≤7.0	62	≤35	330
HT-SOG51A-1232	9.0-28.0	12VDC	32	≤0.9	25	≤7.0	100*	≤35	500*
HT-SOG51A-1219	9.0-28.0	12VDC	19	≤0.9	13	≤7.0	100*	≤35	700*
HT-SOG51A-1210	9.0-28.0	12VDC	10	≤0.9	7	≤7.0	400	≤35	700*
HT-SOG51A-1206	9.0-28.0	12VDC	6	≤0.9	4	≤7.0	500*	≤35	700*

Remarks:

1. Shaft dimension can be customized.
2. The Voltage can be 6v,9V, 12V, 24V, 120VDC, 230VDC; The DC Motor's speed is adjustable.
3. The gearbox can match with different DC motors.

- \* The datasheet is only for your reference.
- \* The parameter in the following table are adjustable upon your request.
- \* Contact us if you don't find your specs or motors. Suitable ones would be introduced to you by us.



# HT-SOG51B

Brushed DC Gearmotor

Spur Geared DC Motor

WEIGHT: 500g(APPROX)

### Performance Range

Voltage: 6~24VDC  
 Speed: 1~2000rpm  
 Torque: 1~500kg.cm

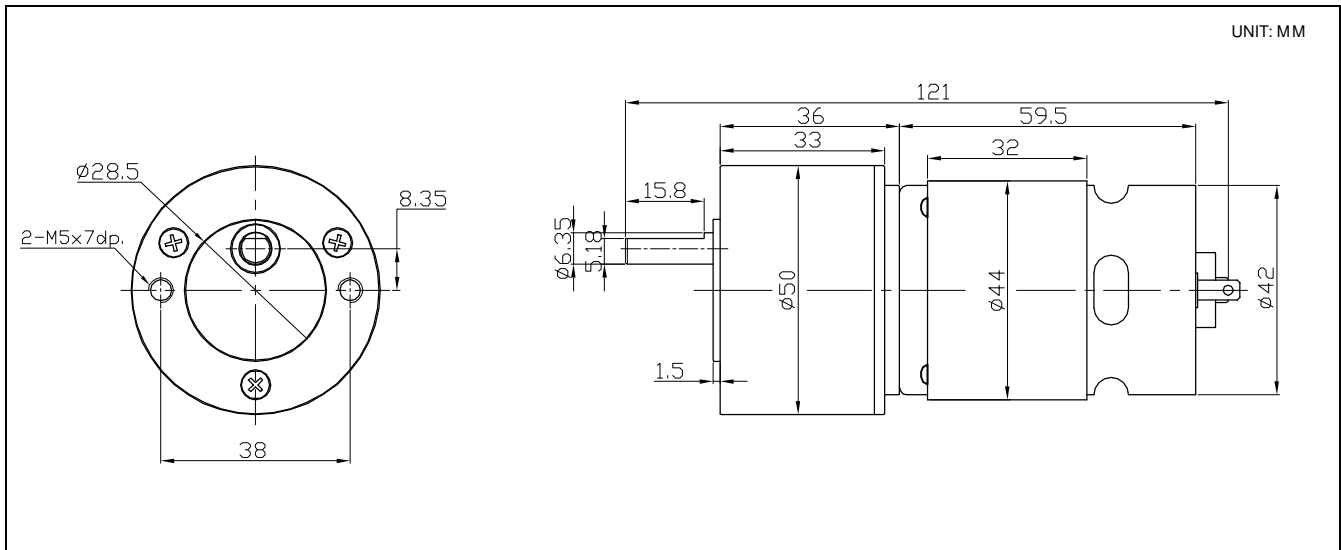
### Advantage

Low Cost  
 Carbon brush

### Typical Applications

Vending and Banking System  
 Equipment and Apparatus  
 Robotic

Gear Ratio Stage	2	3	4	5	6
Gear Ratio	5.9	19.7	65.5	218	728
	9.9	33	110	367	1223
Gearbox Length(L)	37.5				

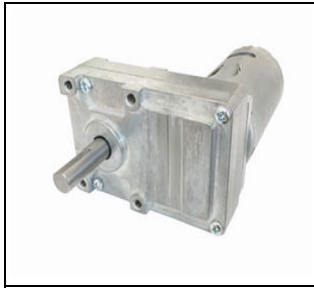


MODEL	VOLTAGE		NO LOAD		AT MAX EFFICIENCY			AT STALL	
	OPERATION RANGE	NOMINAL	SPEED	CURRENT	SPEED	CURRENT	TORQUE	CURRENT	TORQUE
			r/min	A	r/min	A	kg.cm	A	kg.cm
HT-SOG51B-121200	9.0-28.0	12VDC	1200	≤0.9	1000	≤6.0	3	≤35	15
HT-SOG51B-12700	9.0-28.0	12VDC	700	≤0.9	600	≤6.0	5	≤35	25
HT-SOG51B-12375	9.0-28.0	12VDC	375	≤0.9	280	≤6.0	9	≤35	49
HT-SOG51B-12210	9.0-28.0	12VDC	210	≤0.9	168	≤6.0	15	≤35	82
HT-SOG51B-12110	9.0-28.0	12VDC	110	≤0.9	85	≤6.0	30	≤35	163
HT-SOG51B-1264	9.0-28.0	12VDC	64	≤0.9	48	≤6.0	49	≤35	275
HT-SOG51B-1232	9.0-28.0	12VDC	32	≤0.9	25	≤6.0	95	≤35	500*
HT-SOG51B-1219	9.0-28.0	12VDC	19	≤0.9	13	≤6.0	100*	≤35	600*
HT-SOG51B-1210	9.0-28.0	12VDC	10	≤0.9	7	≤6.0	300*	≤35	600*
HT-SOG51B-1206	9.0-28.0	12VDC	6	≤0.9	4	≤6.0	300*	≤35	600*

Remarks:

1. Shaft dimension can be customized.
2. The Voltage can be 6v,9V, 12V, 24V; The DC Motor's speed is adjustable.
3. The gearbox can matchi with different DC motors.

- \* The datasheet is only for your reference.
- \* The parameter in the following table are adjustable upon your request.
- \* Contact us if you don't find your specs or motors. Suitable ones would be introduced to you by us.



# HT-COG73

**High Torque Low Speed**

WEIGHT: 370g(APPROX)

**Performance Range**

Voltage: 3~24VDC  
 Speed: 1~550rpm  
 Torque: 1~160kg.cm

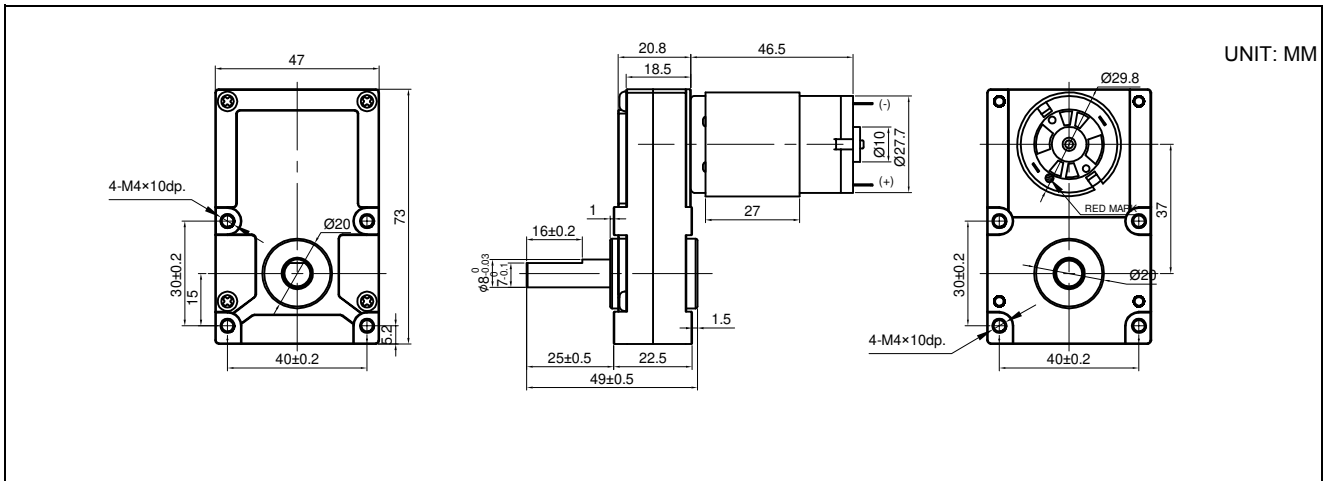
**Advantage**

Low cost  
 High Torque  
 Low speed

**Typical Applications**

Home and office Automation  
 Banking and Vending System  
 Equipment

Gear Ratio Stage	2	3	4	5	6
Gear Ratio	15	36	66	295	552
		51	93	363	615
			123	404	680
			170	458	757
				510	859
					957
					1113
					1240



MODEL	VOLTAGE		NO LOAD		AT MAX EFFICIENCY		
	OPERATION RANGE	NOMINAL	SPEED	CURRENT	SPEED	CURRENT	TORQUE
			r/min	A	r/min	A	kg.cm
HT-COG73-12165	9-14VDC	12VDC	165	0.22	138	0.88	2.4
HT-COG73-12115	9-14VDC	12VDC	115	0.22	95	0.88	3.5
HT-COG73-1290	9-14VDC	12VDC	90	0.22	75	0.88	5
HT-COG73-1262	9-14VDC	12VDC	62	0.22	51	0.88	5.5
HT-COG73-1246	9-14VDC	12VDC	46	0.22	40	0.88	7
HT-COG73-1234	9-14VDC	12VDC	34	0.22	28	0.88	10
HT-COG73-1220	9-14VDC	12VDC	20	0.22	16	0.88	15
HT-COG73-1216	9-14VDC	12VDC	16	0.22	13	0.88	19
HT-COG73-1214	9-14VDC	12VDC	14	0.22	12	0.88	21
HT-COG73-1211	9-14VDC	12VDC	11	0.22	9	0.88	26
HT-COG73-129.5	9-14VDC	12VDC	9.5	0.22	8	0.88	28
HT-COG73-127.6	9-14VDC	12VDC	7.6	0.22	6.3	0.88	35
HT-COG73-1206	9-14VDC	12VDC	6	0.22	5	0.88	40
HT-COG73-125.2	9-14VDC	12VDC	5.2	0.22	4.2	0.88	40
HT-COG73-123.8	9-14VDC	12VDC	4.5	0.22	3.8	0.88	40

- \* The datasheet is only for your reference.
- \* The parameter in the following table are adjustable upon your request.
- \* Contact us if you don't find your specs or motors. Suitable ones would be introduced to you by us.



# HT-COG64

Brushed DC Gearmotor

Spur Geared DC Motor

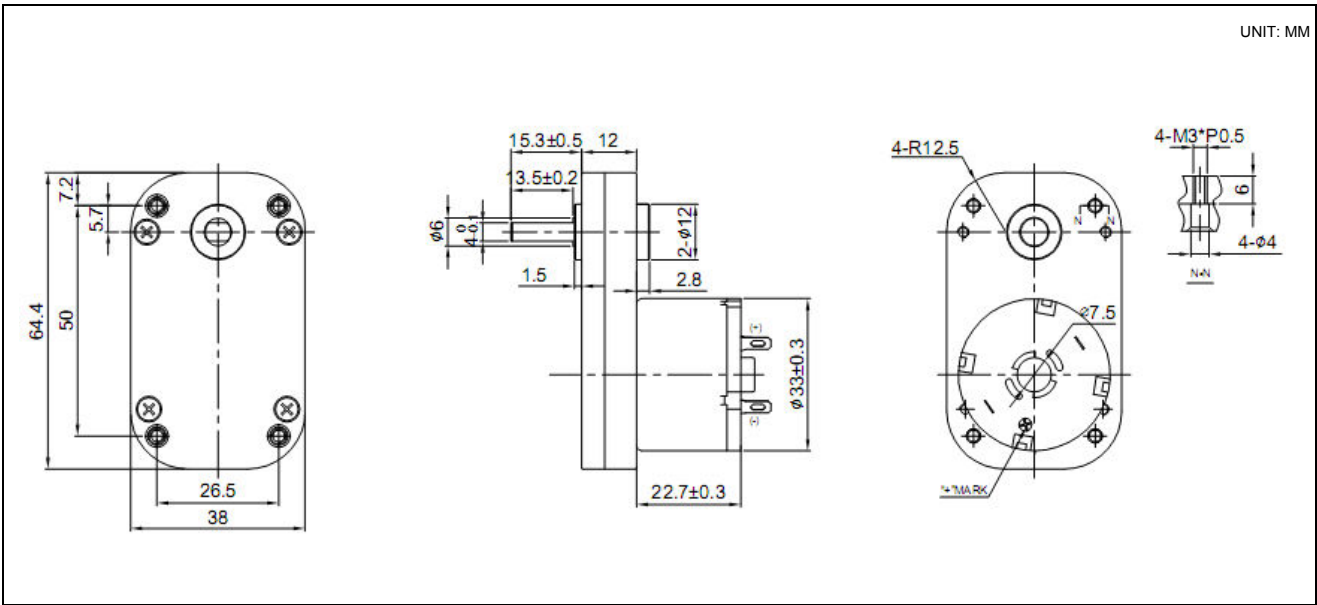
WEIGHT: 160g(APPROX)

**Performance Range**  
 Voltage: 3~24VDC  
 Speed: 1~15rpm  
 Torque: 1~25kg.cm

**Advantage**  
 Low Cost  
 Carbon brush

**Typical Applications**  
 Vending and Banking System  
 Sanitary and Cleaning  
 Robotics and Equipment

Gear Ratio Stage	3	4	5	6
Gear Ratio	31	106	234	435
			292	662
				828
Gearbox Length(L)				



MODEL	VOLTAGE		NO LOAD		AT MAX EFFICIENCY			AT STALL	
	OPERATION RANGE	NOMINAL	SPEED	CURRENT	SPEED	CURRENT	TORQUE	CURRENT	TORQUE
			r/min	A	r/min	A	kg.cm	A	kg.cm
HT-COG64-0698	3.0-9.0	6VDC	98	≤0.06	78	≤0.11	0.2	≤0.85	1
HT-COG64-0629	3.0-9.0	6VDC	29	≤0.06	23	≤0.11	0.7	≤0.85	3.5
HT-COG64-0613	3.0-9.0	6VDC	13	≤0.06	10	≤0.11	1.5	≤0.85	7
HT-COG64-0610	3.0-9.0	6VDC	10	≤0.06	8	≤0.11	1.9	≤0.85	8
HT-COG64-0606	3.0-9.0	6VDC	6	≤0.06	5	≤0.11	3.2	≤0.85	14
HT-COG64-0605	3.0-9.0	6VDC	5	≤0.06	3	≤0.11	3.9	≤0.85	25
HT-COG64-0604	3.0-9.0	6VDC	4	≤0.06	2	≤0.11	8.2	≤0.85	33
HT-COG64-12195	6.0-12.0	12VDC	195	≤0.08	156	≤0.25	0.9	≤1.2	4
HT-COG64-1257	6.0-12.0	12VDC	57	≤0.08	45	≤0.25	2.6	≤1.2	12
HT-COG64-1225	6.0-12.0	12VDC	25	≤0.08	20	≤0.25	6	≤1.2	24
HT-COG64-1211	6.0-12.0	12VDC	11	≤0.08	9	≤0.25	13	≤1.2	40

- Remarks:
1. Shaft dimension can be customized.
  2. The Voltage can be 3.0V, 4.5V, 6V, 9V, 12V, 24V; The DC Motor's speed is adjustable.
  3. This gearbox can matched with other DC Motor.

- \* The datasheet is only for your reference.
- \* The parameter in the following table are adjustable upon your request.
- \* Contact us if you don't find your specs or motors. Suitable ones would be introduced to you by us.



# HT-COG95A

Brushed DC Gearmotor

Flat Spur Geared DC Motor

WEIGHT: 700g(APPROX)

### Performance Range

Voltage: 12~30VDC  
 Speed: 1~170rpm  
 Torque: 3~300kg.cm

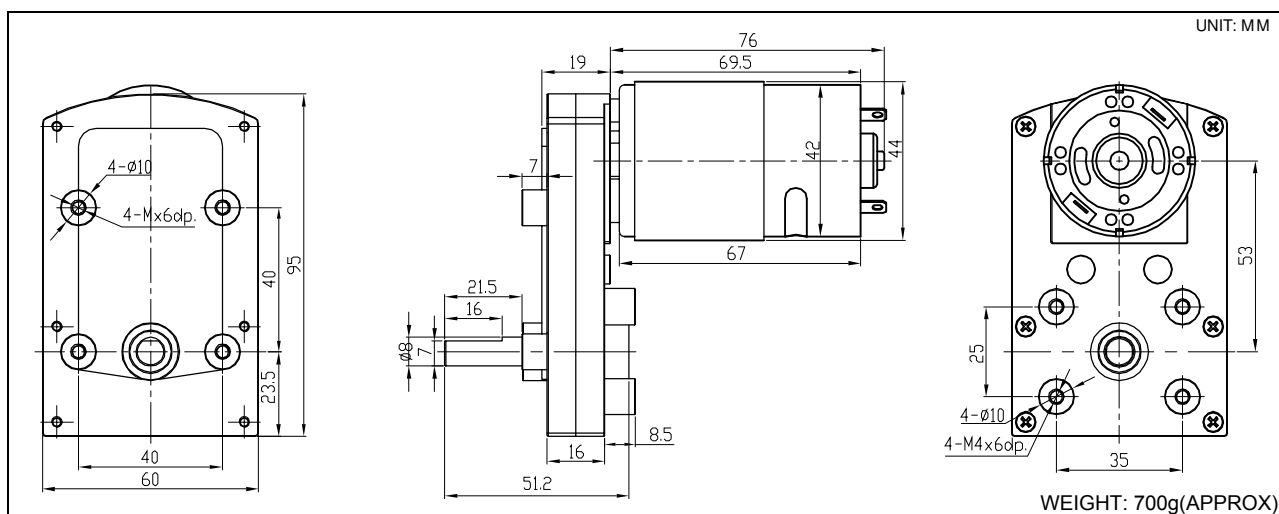
### Advantage

Low Cost  
 Carbon brush  
 High Torque

### Typical Applications

Home and office Automation  
 Banking and Vending System  
 Equipment

Gear Ratio Stage	2	3	4	5
Gear Ratio		37	149	624
		67	196	830
		95	211	1166
			277	
			394	



MODEL	VOLTAGE		NO LOAD		AT MAX EFFICIENCY			AT STALL	
	OPERATION RANGE	NOMINAL	SPEED	CURRENT	SPEED	CURRENT	TORQUE	CURRENT	TORQUE
			r/min	A	r/min	A	kg.cm	A	kg.cm
HT-COG95A-6K37	12-28	24VDC	162	≤0.5	118	≤2.0	21	≤7.0	77
HT-COG95A-6K67	12-28	24VDC	89.6	≤0.5	65.4	≤2.0	36.7	≤7.0	143
HT-COG95A-6K94	12-28	24VDC	64	≤0.5	46.7	≤2.0	51.5	≤7.0	195
HT-COG95A-6K149	12-28	24VDC	40	≤0.5	28	≤2.0	78.3	≤7.0	200*
HT-COG95A-6K196	12-28	24VDC	30.6	≤0.5	21.4	≤2.0	100*	≤7.0	200*
HT-COG95A-6K211	12-28	24VDC	28	≤0.5	19.5	≤2.0	100*	≤7.0	200*
HT-COG95A-6K277	12-28	24VDC	21.6	≤0.5	15	≤2.0	100*	≤7.0	200*
HT-COG95A-6K394	12-28	24VDC	15	≤0.5	10.5	≤2.0	100*	≤7.0	200*
HT-COG95A-6K624	12-28	24VDC	9.6	≤0.7	6.3	≤2.0	150*	≤7.0	300*
HT-COG95A-6K830	12-28	24VDC	7.2	≤0.7	4.7	≤2.0	150*	≤7.0	300*
HT-COG95A-6K1166	12-28	24VDC	5.2	≤0.7	3.3	≤2.0	150*	≤7.0	300*

Remarks:

1. Gearbox Shaft can be made with double shaft, shaft dimension can be customized.
2. The Voltage can be 12VDC, 24VDC; The DC Motor's speed is adjustable, we usually have 3000rpm, 4500rpm, 6000rpm stocks.
3. This gearbox can matched with other DC Motor.

- \* The datasheet is only for your reference.
- \* The parameter in the following table are adjustable upon your request.
- \* Contact us if you don't find your specs or motors. Suitable ones would be introduced to you by us.



# HT-COG95B

Brushed DC Gearmotor

Flat Spur Geared DC Motor

WEIGHT: 550g(APPROX)

**Performance Range**

Voltage: 12~30VDC  
 Speed: 1~170rpm  
 Torque: 1~120kg.cm

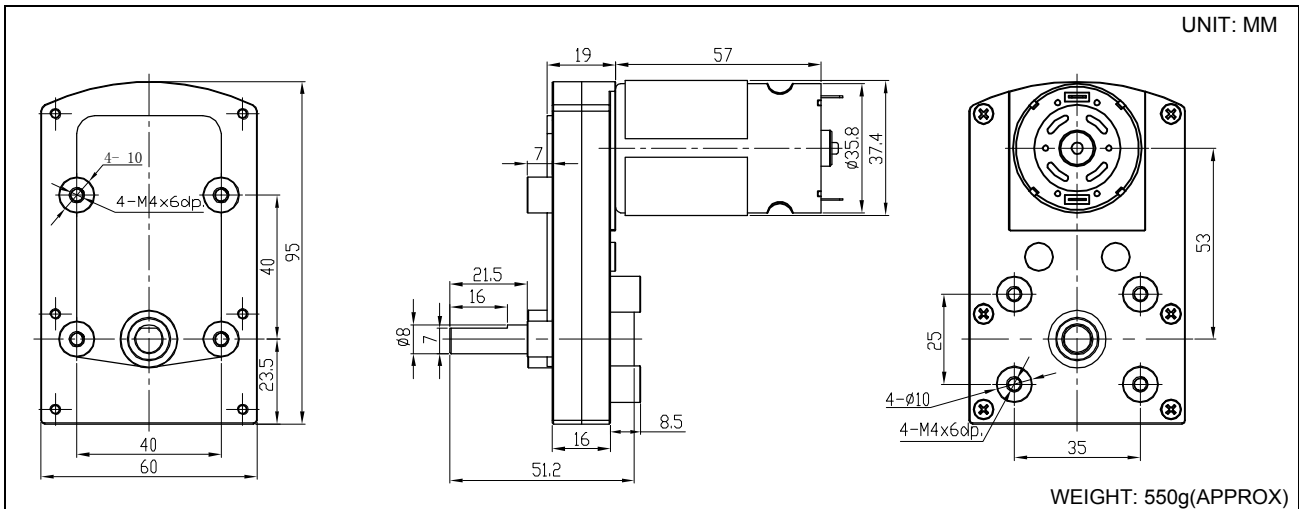
**Advantage**

Low Cost  
 Carbon brush  
 High Torque

**Typical Applications**

Home and office Automation  
 Banking and Vending System  
 Equipment

Gear Ratio Stage	2	3	4	5
Gear Ratio		37	149	624
		67	196	830
		95	211	1166
			277	
			394	



MODEL	VOLTAGE		NO LOAD		AT MAX EFFICIENCY			AT STALL	
	OPERATION RANGE	NOMINAL	SPEED	CURRENT	SPEED	CURRENT	TORQUE	CURRENT	TORQUE
			r/min	A	r/min	A	kg.cm	A	kg.cm
HT-COG95B-6K37	12-28	24VDC	162	≤0.19	118	≤0.9	8.3	≤3.5	33.3
HT-COG95B-6K67	12-28	24VDC	89.6	≤0.19	65.4	≤0.9	15	≤3.5	60
HT-COG95B-6K94	12-28	24VDC	64	≤0.19	46.7	≤0.9	21	≤3.5	84.5
HT-COG95B-6K149	12-28	24VDC	40	≤0.19	28	≤0.9	33.5	≤3.5	134
HT-COG95B-6K196	12-28	24VDC	30.6	≤0.19	21.4	≤0.9	44	≤3.5	176
HT-COG95B-6K211	12-28	24VDC	28	≤0.19	19.5	≤0.9	47.5	≤3.5	188
HT-COG95B-6K277	12-28	24VDC	21.6	≤0.19	15	≤0.9	62.3	≤3.5	200*
HT-COG95B-6K394	12-28	24VDC	15	≤0.19	10.5	≤0.9	88.5	≤3.5	200*
HT-COG95B-6K624	12-28	24VDC	9.6	≤0.21	6.3	≤1.1	131	≤3.5	300*
HT-COG95B-6K830	12-28	24VDC	7.2	≤0.21	4.7	≤1.1	150*	≤3.5	300*
HT-COG95B-6K1166	12-28	24VDC	5.2	≤0.21	3.3	≤1.1	150*	≤3.5	300*

Remarks:

1. Gearbox Shaft can be made with double shaft, shaft dimension can be customized.
2. The Voltage can be 6VDC, 12VDC, 24VDC; The DC Motor's speed is adjustable, we usually have 3000rpm, 4500rp, 6000rpm stocks.



\* The datasheet is only for your reference.

\* The parameter in the following table are adjustable upon your request.

\* Contact us if you don't find your specs or motors. Suitable ones would be introduced to you by us.



# HT-COG95C

Flat Spur Geared DC Motor

Brushed DC Gearmotor

WEIGHT: 500g(APPROX)

### Performance Range

Voltage: 6~36VDC

Speed: 1~170rpm

Torque: 1~100kg.cm

### Advantage

Low Cost

Carbon brush

High Torque

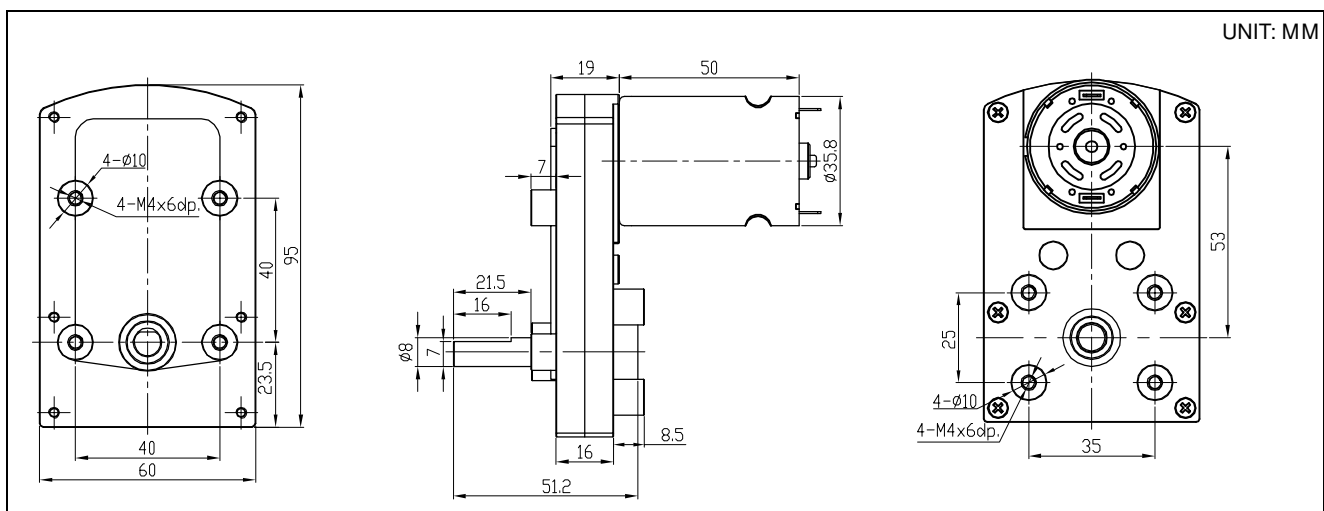
### Typical Applications

Home and office Automation

Banking and Vending System

Equipment

Gear Ratio Stage	2	3	4	5
Gear Ratio		37	149	624
		67	196	830
		95	211	1166
			277	
			394	



MODEL	VOLTAGE		NO LOAD		AT MAX EFFICIENCY			AT STALL	
	OPERATION RANGE	NOMINAL	SPEED	CURRENT	SPEED	CURRENT	TORQUE	CURRENT	TORQUE
			r/min	A	r/min	A	kg.cm	A	kg.cm
HT-COG95C-6K37	6-18	12VDC	162	≤0.34	118	≤1.5	5.5	≤6	22.2
HT-COG95C-6K67	6-18	12VDC	89.6	≤0.34	65.4	≤1.5	10	≤6	40
HT-COG95C-6K94	6-18	12VDC	64	≤0.34	46.7	≤1.5	14	≤6	56.4
HT-COG95C-6K149	6-18	12VDC	40	≤0.34	28	≤1.5	22.3	≤6	89.4
HT-COG95C-6K196	6-18	12VDC	30.6	≤0.34	21.4	≤1.5	29.5	≤6	109.4
HT-COG95C-6K211	6-18	12VDC	28	≤0.34	19.5	≤1.5	31.6	≤6	118
HT-COG95C-6K277	6-18	12VDC	21.6	≤0.34	15	≤1.5	41.5	≤6	155
HT-COG95C-6K394	6-18	12VDC	15	≤0.34	10.5	≤1.5	59	≤6	2.5
HT-COG95C-6K624	6-18	12VDC	9.6	≤0.35	6.3	≤1.6	93.6	≤6	300*
HT-COG95C-6K830	6-18	12VDC	7.2	≤0.35	4.7	≤1.6	121	≤6	300*
HT-COG95C-6K1166	6-18	12VDC	5.2	≤0.36	3.3	≤1.7	150	≤6	300*

Remarks:

1. Gearbox Shaft can be made with double shaft, shaft dimension can be customized.
2. The Voltage can be 6VDC, 12VDC, 24VDC; The DC Motor's speed is adjustable, we usually have 3000rpm, 4500rpm, 6000rpm stocks.
3. This gearbox can matched with other DC Motor.

\* The datasheet is only for your reference.

\* The parameter in the following table are adjustable upon your request.

\* Contact us if you don't find your specs or motors. Suitable ones would be introduced to you by us.



# HT-COG95D

Brushed DC Gearmotor

Flat Spur Geared DC Motor

WEIGHT: 700g(APPROX)

**Performance Range**

Voltage: 90~250VDC

Speed: 1~170rpm

Torque: 3~300kg.cm

**Advantage**

Low Cost

Carbon brush

High Torque

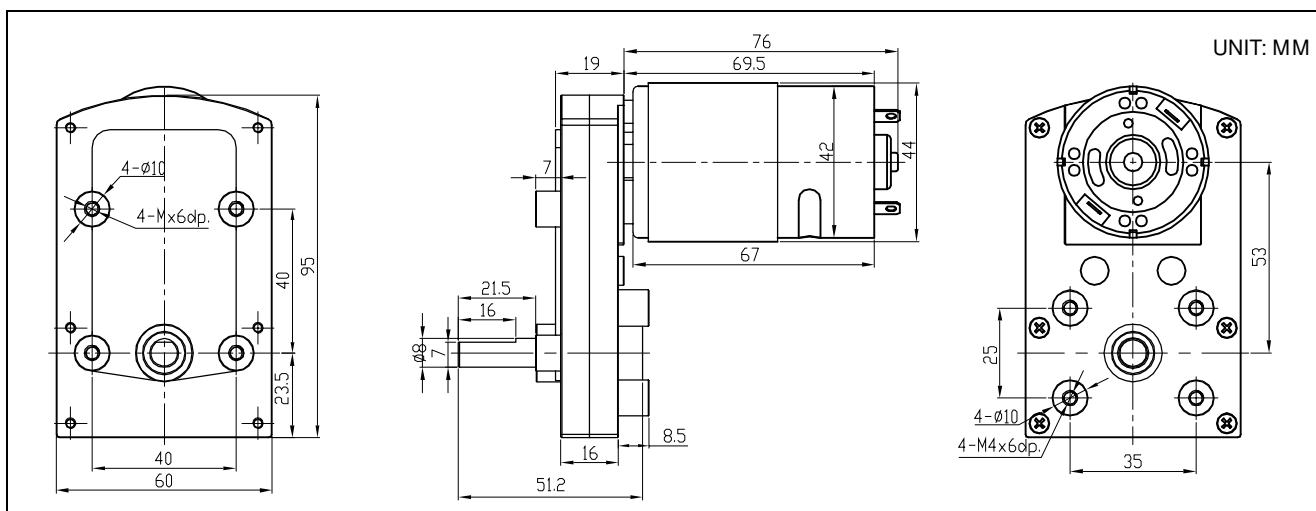
**Typical Applications**

Home and office Automation

Banking and Vending System

Equipment

Gear Ratio Stage	2	4	5
Gear Ratio	37	162	594
	60	265	651
	66	315	973
	86		1059



MODEL	VOLTAGE		NO LOAD		AT MAX EFFICIENCY			AT STALL	
	OPERATE RANGE	NOMINAL	SPEED	CURRENT	SPEED	CURRENT	TORQUE	CURRENT	TORQUE
			r/min	A	r/min	A	kg.cm	A	kg.cm
HT-COG95D-6K37	100-150	120VDC	162	≤0.11	126	≤0.5	21	≤2.0	111
HT-COG95D-6K67	100-150	120VDC	100	≤0.11	78	≤0.5	34	≤2.0	180
HT-COG95D-6K94	100-150	120VDC	91	≤0.11	69	≤0.5	37.6	≤2.0	198
HT-COG95D-6K149	100-150	120VDC	70	≤0.11	53	≤0.5	48	≤2.0	258
HT-COG95D-6K196	100-150	120VDC	37	≤0.11	27	≤0.5	91	≤2.0	486
HT-COG95D-6K211	100-150	120VDC	23	≤0.11	17	≤0.5	145	≤2.0	500*
HT-COG95D-6K277	100-150	120VDC	19	≤0.11	14	≤0.5	170	≤2.0	500*
HT-COG95D-6K394	100-150	120VDC	10	≤0.11	6.8	≤0.5	200*	≤2.0	500*
HT-COG95D-6K624	100-150	120VDC	9	≤0.12	6	≤0.5	200*	≤2.0	500*
HT-COG95D-6K830	100-150	120VDC	6	≤0.12	4	≤0.5	300*	≤2.0	600*
HT-COG95D-6K1166	100-150	120VDC	5.6	≤0.13	3.6	≤0.5	300*	≤2.0	600*

Remarks:

1. Gearbox Shaft can be made with double shaft, shaft dimension can be customized.
2. The Voltage can be 120VDC, 220VDC, The DC Motor's speed is adjustable.
3. This gearbox can matched with other DC Motor.

\* The datasheet is only for your reference.

\* The parameter in the following table are adjustable upon your request.

\* Contact us if you don't find your specs or motors. Suitable ones would be introduced to you by us.



# HT-COG95E

Flat Spur Geared DC Motor

Brushed DC Gearmotor

WEIGHT: 500g(APPROX)

### Performance Range

Voltage: 6~24VDC

Speed: 1~170rpm

Torque: 1~50kg.cm

### Advantage

Low Cost

Carbon brush

High Torque

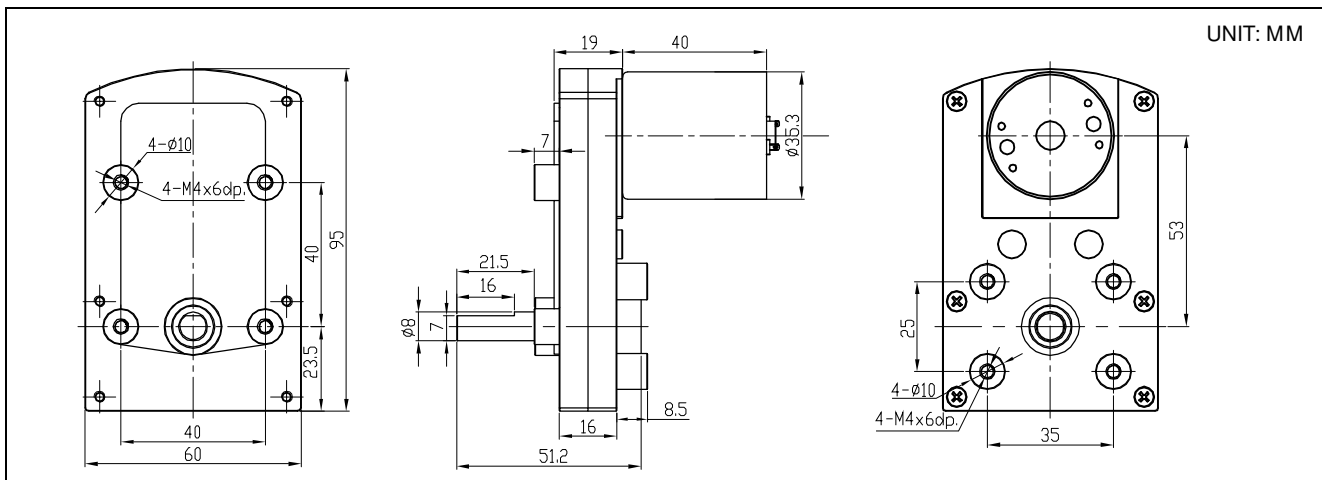
### Typical Applications

Home and office Automation

Banking and Vending System

Equipment

Gear Ratio Stage	2	4	5
Gear Ratio	37	162	594
	60	265	651
	66	315	973
	86		1059



MODEL	VOLTAGE		NO LOAD		AT MAX EFFICIENCY			AT STALL	
	OPERATION RANGE	NOMINAL	SPEED	CURRENT	SPEED	CURRENT	TORQUE	CURRENT	TORQUE
			r/min	A	r/min	A	kg.cm	A	kg.cm
HT-COG95E-24162	12-28	24VDC	162	≤0.06	124	≤0.35	3.5	≤2.8	18
HT-COG95E-24100	12-28	24VDC	100	≤0.06	76	≤0.35	5.6	≤2.8	30
HT-COG95E-2491	12-28	24VDC	91	≤0.06	69	≤0.35	6.2	≤2.8	33
HT-COG95E-2470	12-28	24VDC	70	≤0.06	52	≤0.35	8	≤2.8	43
HT-COG95E-2437	12-28	24VDC	37	≤0.06	27	≤0.35	15	≤2.8	80
HT-COG95E-2423	12-28	24VDC	23	≤0.06	16	≤0.35	23	≤2.8	132
HT-COG95E-2419	12-28	24VDC	19	≤0.06	13.5	≤0.35	28	≤2.8	157
HT-COG95E-2410	12-28	24VDC	10	≤0.06	7	≤0.35	50	≤2.8	297
HT-COG95E-2409	12-28	24VDC	9	≤0.06	6	≤0.35	55	≤2.8	325
HT-COG95E-2406	12-28	24VDC	6	≤0.06	4	≤0.35	75	≤2.8	486
HT-COG95E-245.6	12-28	24VDC	5.6	≤0.06	3.6	≤0.35	82	≤2.8	529

Remarks:

1. Gearbox Shaft can be made with double shaft, shaft dimension can be customized.
2. The Voltage can be 6VDC, 12VDC, 24VDC; The DC Motor's speed is adjustable.
3. This gearbox can matched with other DC Motor.

\* The datasheet is only for your reference.

\* The parameter in the following table are adjustable upon your request.

\* Contact us if you don't find your specs or motors. Suitable ones would be introduced to you by us.



# HT-COG95F

Brushed DC Gearmotor

Flat Spur Geared DC Motor

WEIGHT: 500g(APPROX)

### Performance Range

Voltage: 6~12VDC

Speed: 1~170rpm

Torque: 1~50kg.cm

### Advantage

Low Cost

Carbon brush

High Torque

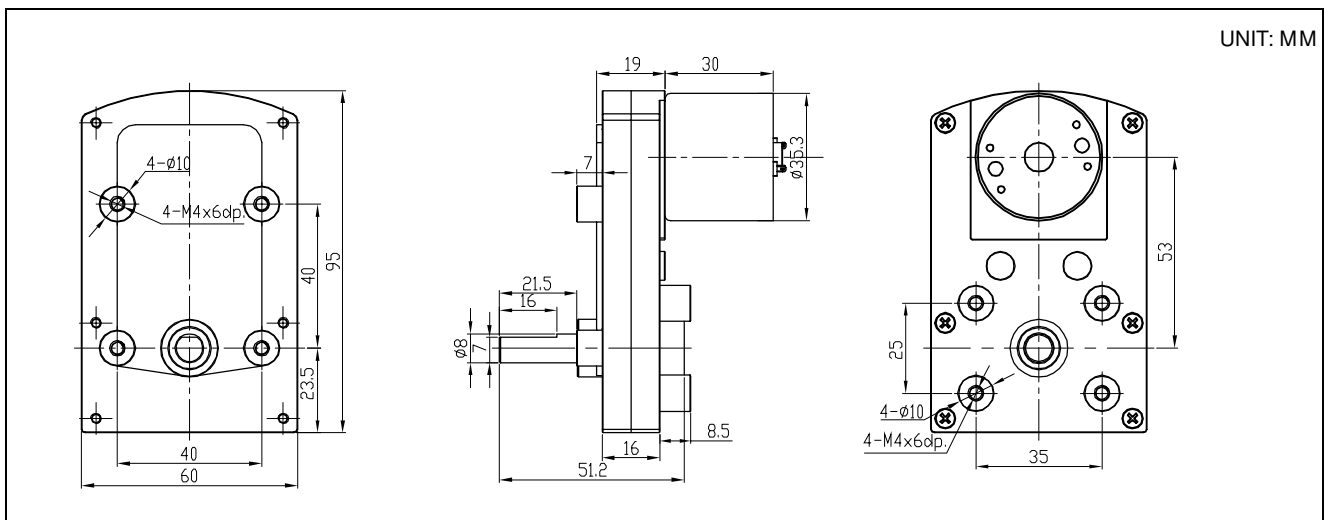
### Typical Applications

Home and office Automation

Banking and Vending System

Equipment

Gear Ratio Stage	2	4	5
Gear Ratio	37	162	594
	60	265	651
	66	315	973
	86		1059



MODEL	VOLTAGE		NO LOAD		AT MAX EFFICIENCY			AT STALL	
	OPERATION RANGE	NOMINAL	SPEED	CURRENT	SPEED	CURRENT	TORQUE	CURRENT	TORQUE
			r/min	A	r/min	A	kg.cm	A	kg.cm
HT-COG95F-24135	12-28	24VDC	135	≤0.05	105	≤0.25	2.8	≤1.2	15
HT-COG95F-2483	12-28	24VDC	83	≤0.05	63	≤0.25	4.5	≤1.2	24
HT-COG95F-2476	12-28	24VDC	76	≤0.05	57	≤0.25	5	≤1.2	26
HT-COG95F-2458	12-28	24VDC	58	≤0.05	43	≤0.25	6.5	≤1.2	34
HT-COG95F-2431	12-28	24VDC	31	≤0.05	22	≤0.25	11.6	≤1.2	65
HT-COG95F-2419	12-28	24VDC	19	≤0.05	14	≤0.25	19	≤1.2	106
HT-COG95F-2416	12-28	24VDC	16	≤0.05	11	≤0.25	22.5	≤1.2	126
HT-COG95F-248.5	12-28	24VDC	8.5	≤0.05	6	≤0.25	42	≤1.2	230
HT-COG95F-247.7	12-28	24VDC	7.7	≤0.05	5.4	≤0.25	45.5	≤1.2	260
HT-COG95F-2405	12-28	24VDC	5	≤0.05	3.3	≤0.25	63	≤1.2	389
HT-COG95F-244.7	12-28	24VDC	4.7	≤0.05	3	≤0.25	69	≤1.2	420

**Remarks:**

1. Gearbox Shaft can be made with double shaft, shaft dimension can be customized.
2. The Voltage can be 6VDC, 12VDC, 24VDC; The DC Motor's speed is adjustable.
3. This gearbox can matched with other DC Motor.

\* The datasheet is only for your reference.

\* The parameter in the following table are adjustable upon your request.

\* Contact us if you don't find your specs or motors. Suitable ones would be introduced to you by us.



# HT-COG95G

Brushed DC Gearmotor

Flat Spur Geared DC Motor

WEIGHT: 400g(APPROX)

**Performance Range**

**Advantage**

**Typical Applications**

Voltage: 6~24VDC

Low Cost

Home and office Automation

Speed: 1~200rpm

Carbon brush

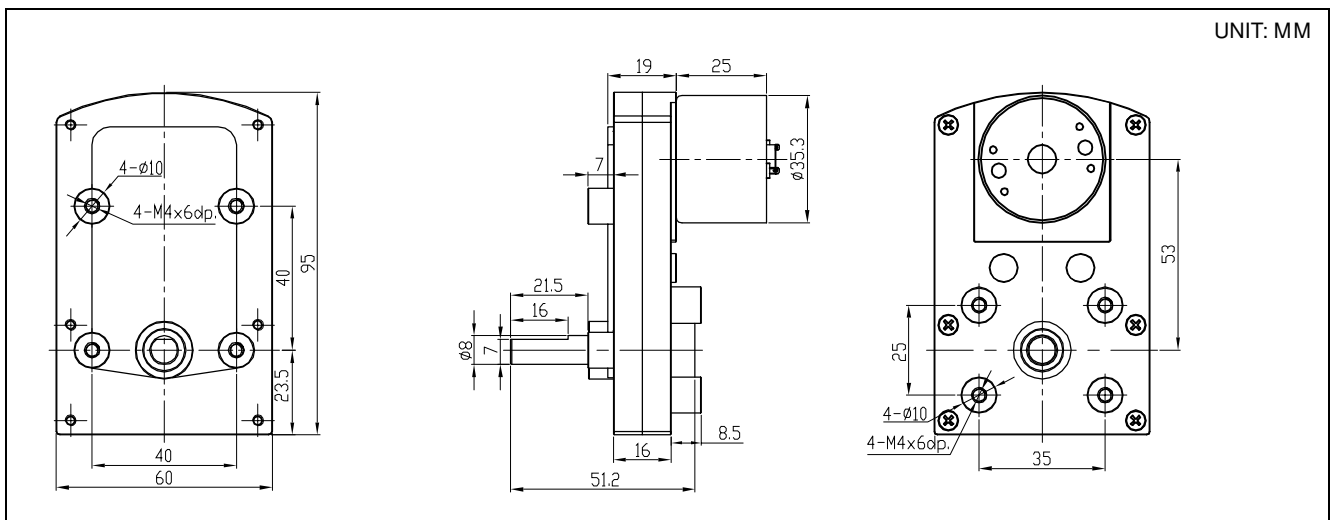
Banking and Vending System

Torque: 1~50kg.cm

High Torque

Equipment

Gear Ratio Stage	2	4	5
Gear Ratio	37	162	594
	60	265	651
	66	315	973
	86		1059

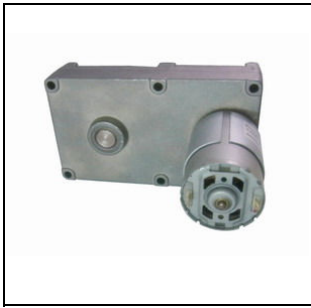


MODEL	VOLTAGE		NO LOAD		AT MAX EFFICIENCY			AT STALL	
	OPERATION RANGE	NOMINAL	SPEED	CURRENT	SPEED	CURRENT	TORQUE	CURRENT	TORQUE
			r/min	A	r/min	A	kg.cm	A	kg.cm
HT-COG95F-06108	4.5-9.0	6VDC	108	≤0.06	82	≤0.35	1.4	≤1.4	7.4
HT-COG95F-0666	4.5-9.0	6VDC	66	≤0.06	50	≤0.35	2.3	≤1.4	12
HT-COG95F-0660	4.5-9.0	6VDC	60	≤0.06	45	≤0.35	2.5	≤1.4	13
HT-COG95F-0646	4.5-9.0	6VDC	46	≤0.06	34	≤0.35	3.2	≤1.4	17
HT-COG95F-0625	4.5-9.0	6VDC	25	≤0.06	18	≤0.35	6	≤1.4	32
HT-COG95F-0615	4.5-9.0	6VDC	15	≤0.06	11	≤0.35	10	≤1.4	53
HT-COG95F-0612	4.5-9.0	6VDC	12	≤0.06	9	≤0.35	11	≤1.4	63
HT-COG95F-066.8	4.5-9.0	6VDC	6.8	≤0.06	5	≤0.35	21	≤1.4	118
HT-COG95F-0606	4.5-9.0	6VDC	6	≤0.06	4.3	≤0.35	23	≤1.4	130
HT-COG95F-0604	4.5-9.0	6VDC	4	≤0.06	2.7	≤0.35	32	≤1.4	194
HT-COG95F-063.8	4.5-9.0	6VDC	3.8	≤0.06	2.5	≤0.35	35	≤1.4	211

**Remarks:**

1. Gearbox Shaft can be made with double shaft, shaft dimension can be customized.
2. The Voltage can be 6VDC, 12VDC, 6VDC; The DC Motor's speed is adjustable.
3. This gearbox can matched with other DC Motor.

- \* The datasheet is only for your reference.
- \* The parameter in the following table are adjustable upon your request.
- \* Contact us if you don't find your specs or motors. Suitable ones would be introduced to you by us.



# HT-FOG119A

Brushed DC Gearmotor

Flat Spur Geared DC Motor

WEIGHT: 1000g(APPROX)

### Performance Range

Voltage: 12~36VDC  
 Speed: 0.5~50rpm  
 Torque: 10~1000kg.cm

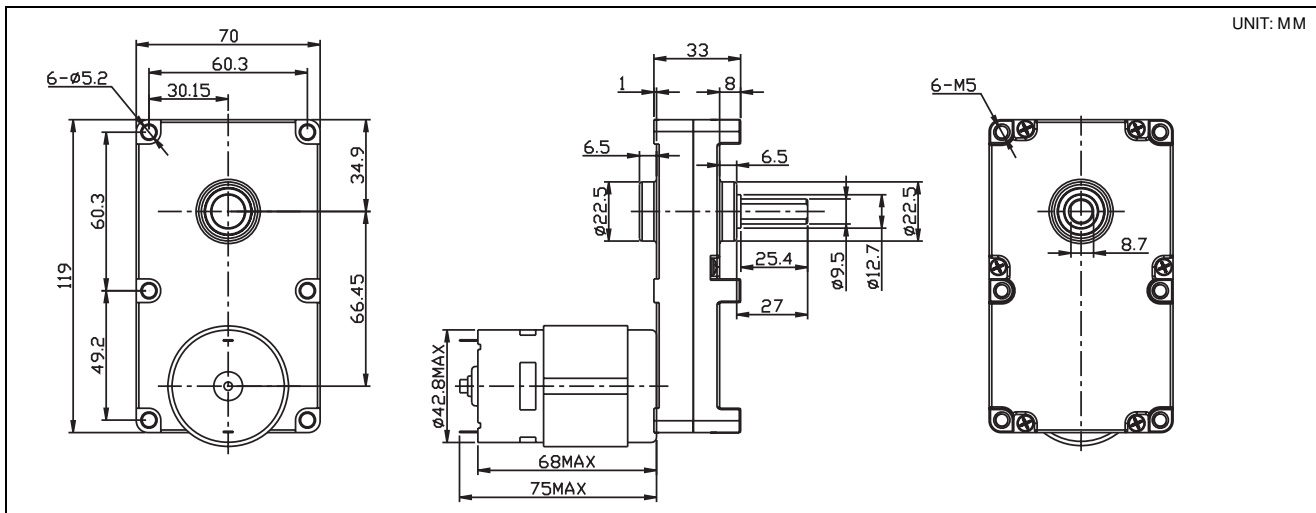
### Advantage

Low Cost  
 Carbon brush  
 High Torque

### Typical Applications

Auto Equipment and Apparatus  
 Electric Valve and Acuator  
 Vending and Banking

Gear Ratio Stage	3	4	5	6
Gear Ratio	127	389	1269	3385
	251	590	1601	5078
		722	1929	
		897		



MODEL	VOLTAGE		NO LOAD		AT MAX EFFICIENCY			AT STALL	
	OPERATION RANGE	NOMINAL	SPEED	CURRENT	SPEED	CURRENT	TORQUE	CURRENT	TORQUE
			r/min	A	r/min	A	kg.cm	A	kg.cm
HT-FOG119A-2447	12-28	24VDC	47	≤0.5	34.5	≤2.0	69.5	≤7.0	226
HT-FOG119A-2424	12-28	24VDC	24	≤0.5	17.5	≤2.0	175	≤7.0	527
HT-FOG119A-2416	12-28	24VDC	16	≤0.5	11.3	≤2.0	204	≤7.0	816
HT-FOG119A-2410	12-28	24VDC	10	≤0.5	7.4	≤2.0	309	≤7.0	800*
HT-FOG119A-2408	12-28	24VDC	8	≤0.5	6	≤2.0	379	≤7.0	800*
HT-FOG119A-246.5	12-28	24VDC	6.5	≤0.5	4.7	≤2.0	470	≤7.0	800*
HT-FOG119A-244.5	12-28	24VDC	4.5	≤0.5	3.2	≤2.0	600*	≤7.0	800*
HT-FOG119A-2404	12-28	24VDC	4	≤0.5	2.6	≤2.0	600*	≤7.0	800*
HT-FOG119A-2403	12-28	24VDC	3	≤0.6	1.9	≤2.1	600*	≤7.0	800*
HT-FOG119A-241.8	12-28	24VDC	1.8	≤0.6	1.2	≤2.1	600*	≤7.0	800*
HT-FOG119A-241.2	12-28	24VDC	1.2	≤0.6	0.7	≤2.1	600*	≤7.0	800*

Remarks:

1. Gearbox Shaft can be made with double shaft, shaft dimension can be customized.
2. The Voltage can be 12VDC, 24VDC; The DC Motor's speed is adjustable.
3. This gearbox can matched with other DC Motors.

\* The datasheet is only for your reference.

\* The parameter in the following table are adjustable upon your request.

\* Contact us if you don't find your specs or motors. Suitable ones would be introduced to you by us.



# HT-FOG119B

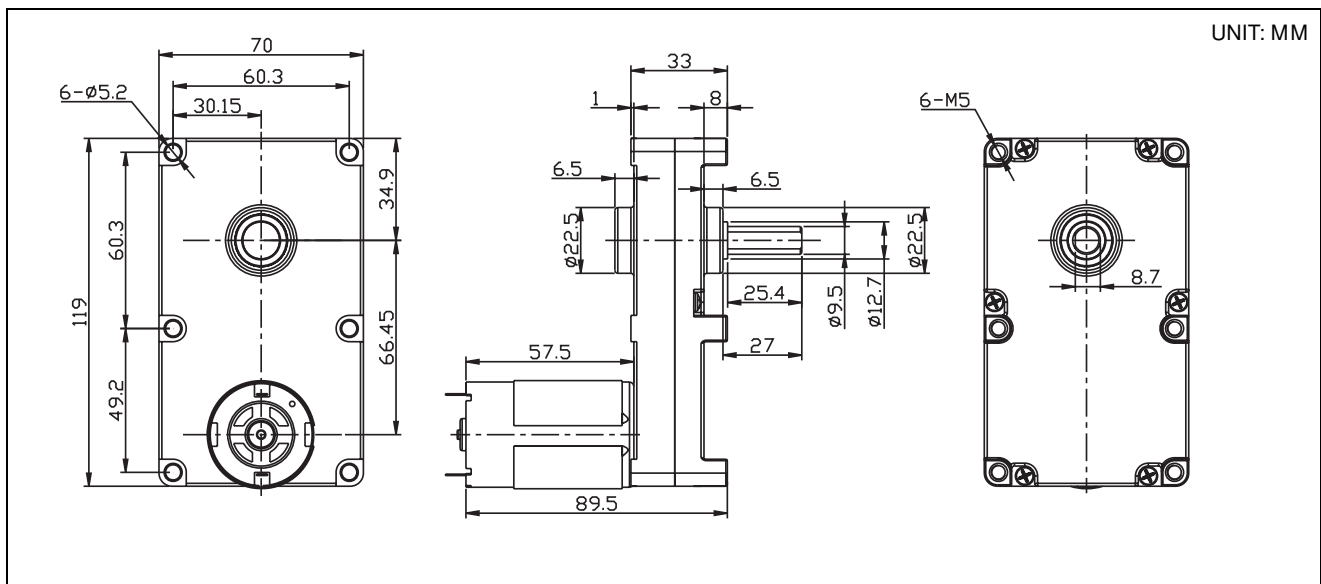
Flat Spur Geared DC Motor

Brushed DC Gearmotor

WEIGHT: 950g(APPROX)

Performance Range	Advantage	Typical Applications
Voltage: 12~36VDC	Low Cost	Home and office Automation
Speed: 0.5~50rpm	Carbon brush	Auto Equipment and Apparatus
Torque: 10~700kg.cm	High Torque	Vending and Banking

Gear Ratio Stage	3	4	5	6
Gear Ratio	127	389	1269	3385
	251	590	1601	5078
		722	1929	
		897		



MODEL	VOLTAGE		NO LOAD		AT MAX EFFICIENCY			AT STALL	
	OPERATE RANGE	NOMINAL	SPEED	CURRENT	SPEED	CURRENT	TORQUE	CURRENT	TORQUE
			r/min	A	r/min	A	kg.cm	A	kg.cm
HT-FOG119B-2424	12-28	24VDC	24	≤0.0.6	17	≤0.5	14	≤2.0	56
HT-FOG119B-2412	12-28	24VDC	12	≤0.0.6	8.7	≤0.5	28	≤2.0	110
HT-FOG119B-247.7	12-28	24VDC	7.7	≤0.0.6	5.6	≤0.5	43	≤2.0	170
HT-FOG119B-2405	12-28	24VDC	5	≤0.0.6	5.5	≤0.5	65	≤2.0	247
HT-FOG119B-2404	12-28	24VDC	4	≤0.0.6	3	≤0.5	79	≤2.0	303
HT-FOG119B-243.3	12-28	24VDC	3.3	≤0.0.6	2.2	≤0.5	94	≤2.0	366
HT-FOG119B-242.3	12-28	24VDC	2.3	≤0.0.6	1.5	≤0.5	136	≤2.0	505
HT-FOG119B-241.9	12-28	24VDC	1.9	≤0.0.6	1.2	≤0.5	156	≤2.0	663
HT-FOG119B-241.6	12-28	24VDC	1.6	≤0.0.6	1.0	≤0.5	95	≤2.0	753
HT-FOG119B-240.9	12-28	24VDC	0.9	≤0.0.6	0.5	≤0.5	330	≤2.0	800*
HT-FOG119B-240.6	12-28	24VDC	0.6	≤0.0.6	0.4	≤0.5	457	≤2.0	800*

Remarks:

1. Gearbox Shaft can be made with double shaft, shaft dimension can be customized.
2. The Voltage can be 12VDC, 24VDC; The DC Motor's speed is adjustable
3. This gearbox can matched with other DC Motors.

- \* The datasheet is only for your reference.
- \* The parameter in the following table are adjustable upon your request.
- \* Contact us if you don't find your specs or motors. Suitable ones would be introduced to you by us.



# HT-FOG119C

Brushed DC Gearmotor

Flat Spur Geared DC Motor

WEIGHT: 900g(APPROX)

**Performance Range**

Voltage: 12~36VDC  
 Speed: 0.5~50rpm  
 Torque: 10~550kg.cm

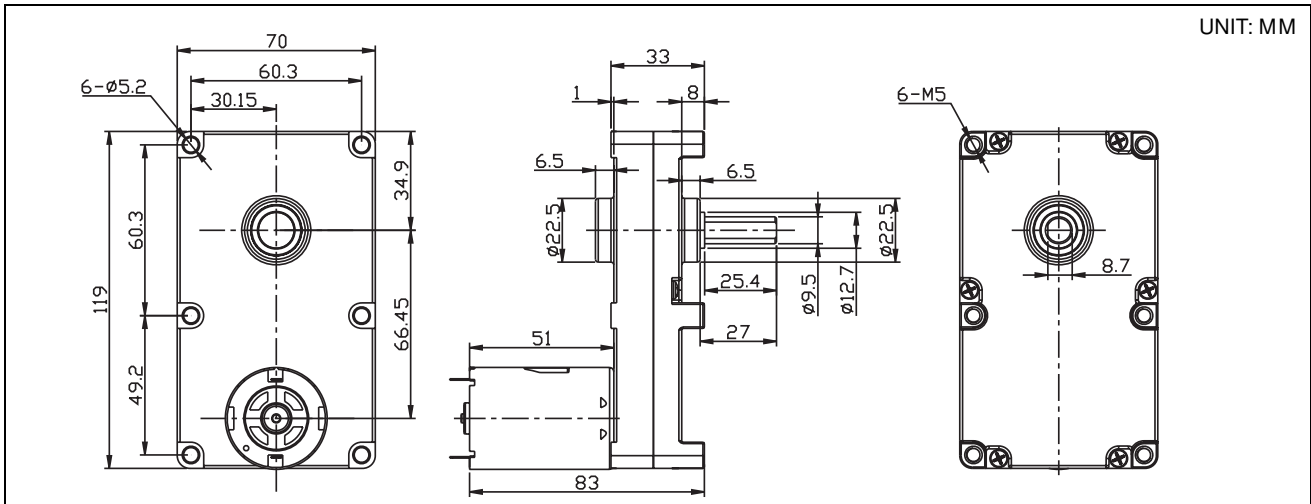
**Advantage**

Low Cost  
 Carbon brush  
 High Torque

**Typical Applications**

Home and office Automation  
 Equipment and Apparatus  
 Vending and Banking

Gear Ratio Stage	3	4	5	6
Gear Ratio	127	389	1269	3385
	251	590	1601	5078
		722	1929	
		897		



MODEL	VOLTAGE		NO LOAD		AT MAX EFFICIENCY			AT STALL	
	OPERATE RANGE	NOMINAL	SPEED	CURRENT	SPEED	CURRENT	TORQUE	CURRENT	TORQUE
			r/min	A	r/min	A	kg.cm	A	kg.cm
HT-FOG119C-2423.6	12-28	24VDC	23.6	≤0.0.6	17.2	≤0.3	9.2	≤1.5	37
HT-FOG119C-2412	12-28	24VDC	12	≤0.0.6	8.68	≤0.3	18.3	≤1.5	73
HT-FOG119C-2408	12-28	24VDC	8	≤0.0.6	5.62	≤0.3	28.4	≤1.5	113.5
HT-FOG119C-2405	12-28	24VDC	5	≤0.0.6	5.56	≤0.3	41.3	≤1.5	165
HT-FOG119C-2404	12-28	24VDC	4	≤0.0.6	2.94	≤0.3	50.5	≤1.5	198
HT-FOG119C-243.3	12-28	24VDC	3.3	≤0.0.6	2.2	≤0.3	62.8	≤1.5	243
HT-FOG119C-242.3	12-28	24VDC	2.3	≤0.0.6	1.56	≤0.3	84.3	≤1.5	336
HT-FOG119C-2402	12-28	24VDC	2	≤0.0.6	1.2	≤0.3	106	≤1.5	416
HT-FOG119C-241.5	12-28	24VDC	1.5	≤0.0.6	1.0	≤0.3	125.5	≤1.5	501
HT-FOG119C-240.9	12-28	24VDC	0.9	≤0.0.7	0.53	≤0.4	220	≤1.5	800*
HT-FOG119C-240.6	12-28	24VDC	0.6	≤0.0.7	0.38	≤0.4	330	≤1.5	800*

Remarks:

1. Gearbox Shaft can be made with double shaft, shaft dimension can be customized.
2. The Voltage can be 12VDC, 24VDC; The DC Motor's speed is adjustable.
3. This gearbox can matched with other DC Motor.



\* The datasheet is only for your reference.

\* The parameter in the following table are adjustable upon your request.

\* Contact us if you don't find your specs or motors. Suitable ones would be introduced to you by us.



# HT-POG16

Brushed DC Gearmotor

PLANETARY GEARBOX MOTOR

WEIGHT: 80g(APPROX)

### Performance Range

Voltage: 3.0-24VDC  
 Speed: 0.9-2000rpm  
 Torque 0.05-12kg.cm

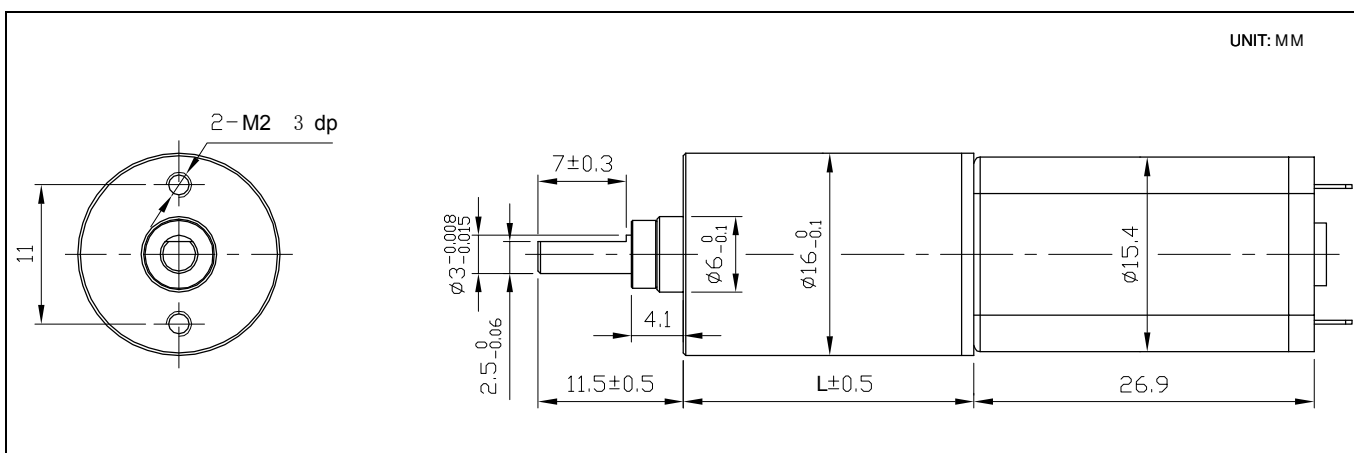
### Advantage

More Durable  
 Small size High Torque

### Typical Applications

Precise Equipment & machine  
 Safe and Locking  
 Electric Valve

Gear Ratio Stage	1	2	3	4	5
	4	12	43	150	712
Gear Ratio	4.7	16	64	256	1024
		19	76	304	1216
		22.5	90	361	1444
		107	107	428	1715
Gearbox length "L" (mm)				509	2036
		17.5	21	24.5	28



MODEL	VOLTAGE		NO LOAD		AT MAX EFFICIENCY			AT STALL	
	OPERATION RANGE	NOMINAL	SPEED	CURRENT	SPEED	CURRENT	TORQUE	CURRENT	TORQUE
			r/min	mA	r/min	mA	kg.cm	A	kg.cm
HT-POG16-062000	4.5-7.2V	6VDC	2000	≤40	1640	≤140	0.02	≤0.6	0.14
HT-POG16-06500	4.5-7.2V	6VDC	500	≤40	400	≤140	0.09	≤0.6	0.6
HT-POG16-06348	4.5-7.2V	6VDC	348	≤40	275	≤140	0.13	≤0.6	0.8
HT-POG16-06185	4.5-7.2V	6VDC	186	≤40	145	≤140	0.23	≤0.6	1.5
HT-POG16-06105	4.5-7.2V	6VDC	105	≤40	80	≤140	0.4	≤0.6	2.7
HT-POG16-0689	4.5-7.2V	6VDC	89	≤40	67	≤140	0.48	≤0.6	3.3
HT-POG16-0653	4.5-7.2V	6VDC	53	≤40	39	≤140	0.79	≤0.6	5.4
HT-POG16-0631	4.5-7.2V	6VDC	31	≤40	22	≤140	1.3	≤0.6	9.2
HT-POG16-0626	4.5-7.2V	6VDC	26	≤40	19	≤140	1.5	≤0.6	11
HT-POG16-0622	4.5-7.2V	6VDC	22	≤40	16	≤140	1.8	≤0.6	12*
HT-POG16-0618	4.5-7.2V	6VDC	18	≤40	13	≤140	2.1	≤0.6	12*
HT-POG16-0611	4.5-7.2V	6VDC	11	≤40	7.5	≤140	3.3	≤0.6	15*
HT-POG16-067.8	4.5-7.2V	6VDC	7.8	≤40	4.5	≤150	4.8	≤0.6	15*
HT-POG16-063.3	4.5-7.2V	6VDC	3.3	≤40	1.8	≤150	10.0	≤0.6	15*

Remarks:

1. Shaft dimension can be customized.
2. The Voltage can be 1.5V,3V, 4.5V, 5V, 6V, 12V; The DC Motor's speed is adjustable.
3. This gearbox can matched with other DC Motor.

\* The datasheet is only for your reference.

\* The parameter in the following table are adjustable upon your request.

\* Contact us if you don't find your specs or motors. Suitable ones would be introduced to you by us.



# HT-POG22A

## PLANETARY GEARBOX MOTOR

Brushed DC Gearmotor

WEIGHT: 150g(APPROX)

### Performance Range

Voltage: 6.0-24VDC  
 Speed: 0.9-2000rpm  
 Torque 0.05-16kg.cm

### Advantage

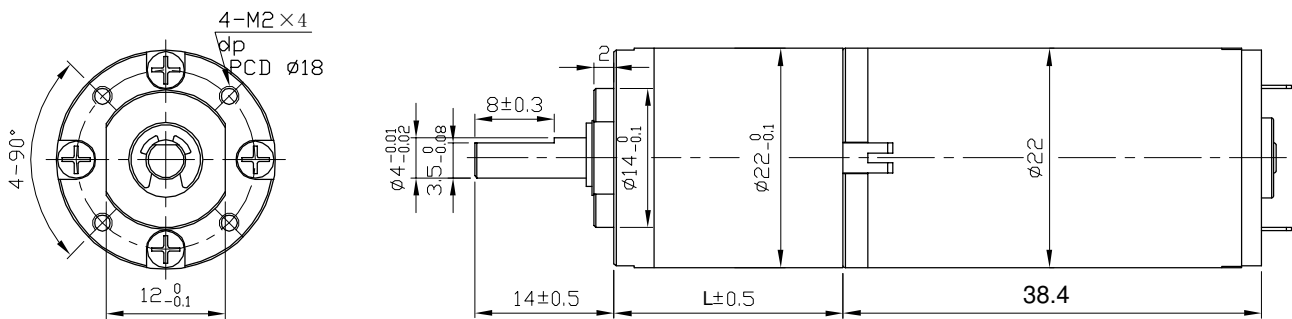
More Durable  
 Small size High Torque

### Typical Applications

Automatic Acuator  
 Medical Equipment & Advice  
 Electric Valve

Gear Ratio Stage	1	2	3	4	5
	4	14	53	150	867
		16	62	231	1014
		19	72	270	1249
			84	316	1386
			104	370	1969
				455	
Gearbox length "L" (mm)	14.4	18	21.7	25.3	29

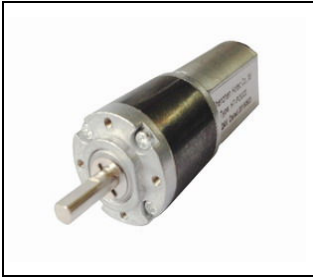
UNIT: MM



MODEL	VOLTAGE		NO LOAD		AT MAX EFFICIENCY			AT STALL	
	OPERATI ON Range	NOMINA L	SPEED r/min	T A	SPEED r/min	T A	TORQUE kg.cm	T A	TORQUE kg.cm
HT-POG22A-241520	12.0-24.0	24VDC	1520	≤0.09	1310	≤0.23	0.16	≤1.2	0.65
HT-POG22A-24380	12.0-24.0	24VDC	380	≤0.09	325	≤0.23	0.66	≤1.2	3.5
HT-POG22A-24320	12.0-24.0	24VDC	320	≤0.09	272	≤0.23	0.82	≤1.2	3.2
HT-POG22A-24115	12.0-24.0	24VDC	115	≤0.09	95	≤0.23	1.95	≤1.2	8.2
HT-POG22A-2495	12.0-24.0	24VDC	95	≤0.09	80	≤0.23	2.35	≤1.2	10.5
HT-POG22A-2482	12.0-24.0	24VDC	82	≤0.09	70	≤0.23	2.68	≤1.2	12.5
HT-POG22A-2471	12.0-24.0	24VDC	71	≤0.09	60	≤0.23	3.55	≤1.2	12.5*
HT-POG22A-2458	12.0-24.0	24VDC	58	≤0.09	47	≤0.23	3.95	≤1.2	12.5*
HT-POG22A-2440	12.0-24.0	24VDC	40	≤0.09	32	≤0.23	6	≤1.2	12.5*
HT-POG22A-2422	12.0-24.0	24VDC	22	≤0.09	18	≤0.23	8.0*	≤1.2	12.5*
HT-POG22A-2405	12.0-24.0	24VDC	5	≤0.09	3.8	≤0.23	8.0*	≤1.2	12.5*
HT-POG22A-2403	12.0-24.0	24VDC	3	≤0.09	2.5	≤0.23	8.0*	≤1.2	12.5*

1. Shaft dimension can be customized.
2. The Voltage can be 6V, 12V, 24V; The DC Motor's speed is adjustable.
3. This gearbox can matched with other DC Motor.

- \* The datasheet is only for your reference.
- \* The parameter in the following table are adjustable upon your request.
- \* Contact us if you don't find your specs or motors. Suitable ones would be introduced to you by us.



# HT-POG22B

**Brushed Gearmotor**

**PLANETARY GEARBOX MOTOR**

WEIGHT: 150g(APPROX)

**Performance Range**

Voltage: 3-24VDC  
 Speed: 1-2000rpm  
 Torque 0.05-10kg.cm

**Advantage**

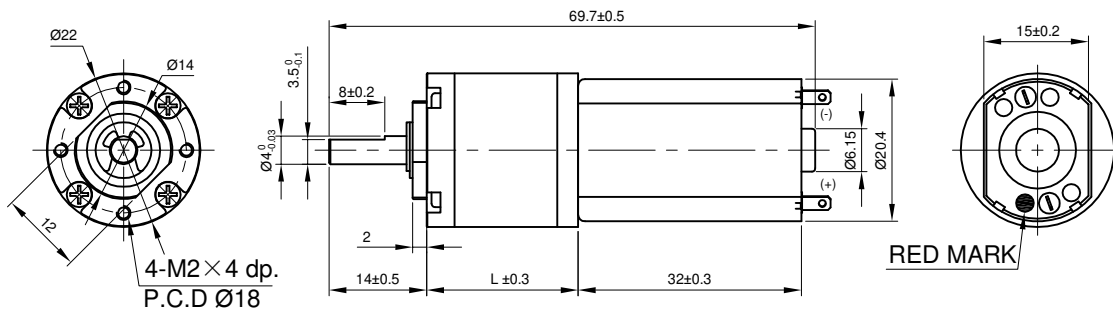
More durable  
 Small size high torque

**Typical Applications**

Automatic Acuator  
 Medical Equipment  
 Electric Valve

Gear Ratio Stage	1	2	3	4	5
	4	14	53	150	867
		16	62	231	1014
		19	72	270	1249
			84	316	1386
			104	370	1969
				455	
Gearbox length "L" (mm)		18	21.7	25.3	29

Unit: mm



MODEL	VOLTAGE		NO LOAD		AT MAX EFFICIENCY			AT STALL	
	OPERATI ON Range	NOMINA L	SPEED r/min	T A	SPEED r/min	T A	TORQUE kg.cm	T A	TORQUE kg.cm
HT-POG22B-12420	6.0-12.0	12VDC	420	$\leq 0.07$	330	$\leq 0.23$	0.26	$\leq 1.2$	1.05
HT-POG22B-12352	6.0-12.0	12VDC	352	$\leq 0.07$	275	$\leq 0.23$	0.3	$\leq 1.2$	1.2
HT-POG22B-12120	6.0-12.0	12VDC	120	$\leq 0.07$	100	$\leq 0.23$	0.8	$\leq 1.2$	3.2
HT-POG22B-1290	6.0-12.0	12VDC	90	$\leq 0.07$	74	$\leq 0.23$	1.15	$\leq 1.2$	4.5
HT-POG22B-1275	6.0-12.0	12VDC	75	$\leq 0.07$	60	$\leq 0.23$	1.35	$\leq 1.2$	6
HT-POG22B-1260	6.0-12.0	12VDC	60	$\leq 0.07$	50	$\leq 0.23$	1.6	$\leq 1.2$	6.2
HT-POG22B-1245	6.0-12.0	12VDC	45	$\leq 0.07$	35	$\leq 0.23$	2.2	$\leq 1.2$	8.4
HT-POG22B-1230	6.0-12.0	12VDC	30	$\leq 0.07$	22	$\leq 0.23$	3.35	$\leq 1.2$	12.5
HT-POG22B-1220	6.0-12.0	12VDC	20	$\leq 0.07$	16	$\leq 0.23$	4.6	$\leq 1.2$	12.5*
HT-POG22B-1214	6.0-12.0	12VDC	14	$\leq 0.07$	11	$\leq 0.23$	6.1	$\leq 1.2$	12.5*
HT-POG22B-1208	6.0-12.0	12VDC	8	$\leq 0.07$	6	$\leq 0.23$	8.5*	$\leq 1.2$	12.5*
HT-POG22B-124.5	6.0-12.0	12VDC	4.5	$\leq 0.07$	3.2	$\leq 0.23$	8.5*	$\leq 1.2$	12.5*

1. Shaft dimension can be customized.
2. The Voltage can be 6V, 12V, 24V; The DC Motor's speed is adjustable.
3. This gearbox can matched with other DC Motor.

\* The datasheet is only for your reference.

\* The parameter in the following table are adjustable upon your request.

\* Contact us if you don't find your specs or motors. Suitable ones would be introduced to you by us.



# HT-POG28A

## PLANETARY GEARBOX MOTOR

Brushed DC Gearmotor

WEIGHT: 280g(APPROX)

### Performance Range

Voltage: 6.0-24VDC  
 Speed: 0.9-2000rpm  
 Torque 0.1-60kg.cm

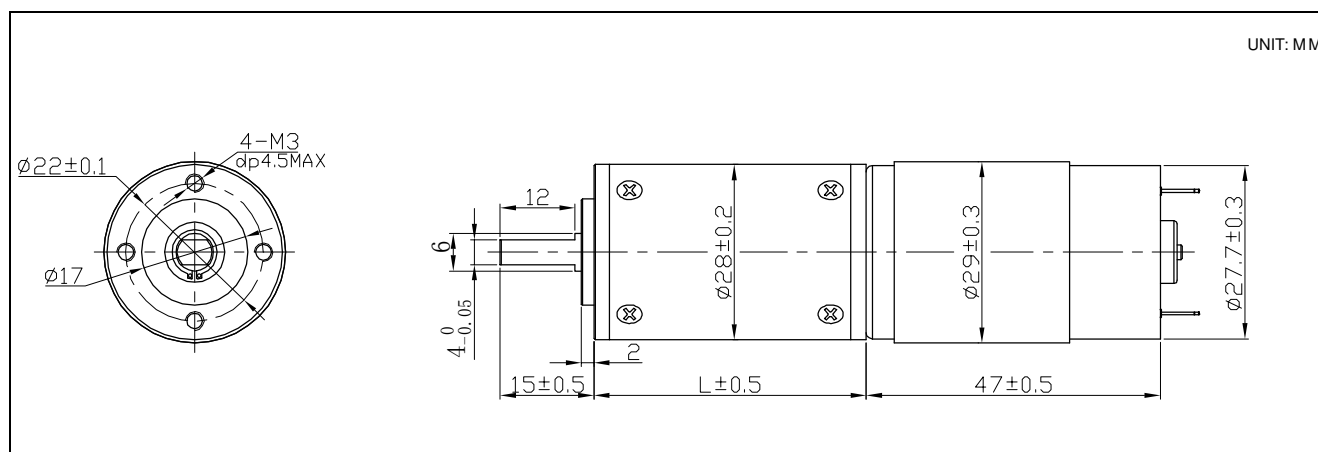
### Advantage

More Durable  
 Small size High Torque

### Typical Applications

Precise Equipment & Apparatus  
 Acuator and Electric Valve  
 Auto Curtain and Robotics

Gear Ratio Stage	1	2	3	4	5
Gear Ratio	3.4	11	38	126	585
	4.7	16	51	241	810
		21.5	72	334	1120
			100	462	1549
					2142
Gearbox Length(L)mm	20.5		32	37.5	43.3



MODEL	VOLTAGE		NO LOAD		AT MAX EFFICIENCY			AT STALL	
	OPERATION RANGE	NOMINAL	SPEED	CURRENT	SPEED	CURRENT	TORQUE	CURRENT	TORQUE
			r/min	mA	r/min	mA	kg.cm	A	kg.cm
HT-POG28A-241621	12-28V	24VDC	1621	≤70	1459	≤370	0.33	≤1.4	1.5
HT-POG28A-241153	12-28V	24VDC	1153	≤70	1038	≤370	0.47	≤1.4	2.1
HT-POG28A-24428	12-28V	24VDC	428	≤70	347	≤370	1.1	≤1.4	5.6
HT-POG28A-24315	12-28V	24VDC	315	≤70	255	≤370	1.5	≤1.4	7.6
HT-POG28A-24222	12-28V	24VDC	222	180	179	≤370	2.2	≤1.4	10.8
HT-POG28A-24117	12-28V	24VDC	117	≤70	86	≤370	3.7	≤1.4	20
HT-POG28A-2484	12-28V	24VDC	84	≤70	62	≤370	5.2	≤1.4	28
HT-POG28A-2460	12-28V	24VDC	60	≤70	44	≤370	7.3	≤1.4	40
HT-POG28A-2443	12-28V	24VDC	43	≤70	32	≤370	10	≤1.4	55
HT-POG28A-2432	12-28V	24VDC	32	≤70	21	≤370	12.5	≤1.4	70*
HT-POG28A-2423	12-28V	24VDC	23	≤70	15	≤370	17	≤1.4	70*
HT-POG28A-2416	12-28V	24VDC	16	≤70	10.5	≤370	20	≤1.4	70*
HT-POG28A-2411.6	12-28V	24VDC	11.6	≤70	7.6	≤370	20	≤1.4	70*
HT-POG28A-248.3	12-28V	24VDC	8.3	≤70	5.5	≤370	20	≤1.4	70*

Remarks:

1. Shaft dimension can be customized.
2. The Voltage can be 6V, 12V, 24V; The DC Motor's speed is adjustable.
3. This gearbox can matched with other DC Motor.

- \* The datasheet is only for your reference.
- \* The parameter in the following table are adjustable upon your request.
- \* Contact us if you don't find your specs or motors. Suitable ones would be introduced to you by us.



# HT-POG28B

## PLANETARY GEARBOX MOTOR

Brushed DC Gearmotor

WEIGHT: 220g(APPROX)

### Performance Range

Voltage: 6.0-24VDC  
 Speed: 0.9-2000rpm  
 Torque 0.1-70kg.cm

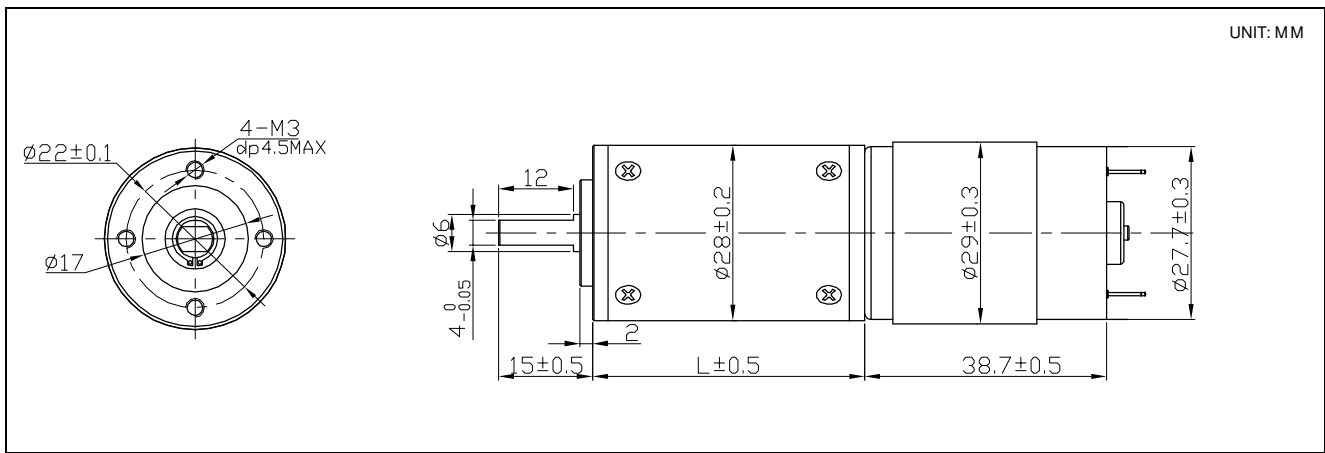
### Advantage

More Durable  
 Small size High Torque

### Typical Applications

Precise Equipment & machine  
 Acuator and Electric Valve  
 Power Tool

Gear Ratio Stage	1	2	3	4	5
Gear Ratio	3.4	11	38	126	585
	4.7	16	51	241	810
		21.5	72	334	1120
			100	462	1549
					2142
Gearbox Length(L)mm	20.5		32	37.5	43.3



MODEL	VOLTAGE		NO LOAD		AT MAX EFFICIENCY			AT STALL	
	OPERATION RANGE	NOMINAL	SPEED	CURRENT	SPEED	CURRENT	TORQUE	CURRENT	TORQUE
			r/min	mA	r/min	mA	kg.cm	A	kg.cm
HT-POG28B-241125	12-28V	24VDC	1125	≤60	101	≤250	0.2	≤0.6	0.88
HT-POG28B-24409	12-28V	24VDC	409	≤60	280	≤250	0.6	≤0.6	2.86
HT-POG28B-24214	12-28V	24VDC	214	≤60	173	≤250	0.93	≤0.6	4.6
HT-POG28B-24122	12-28V	24VDC	122	≤60	96	≤250	1.65	≤0.6	8.1
HT-POG28B-2486	12-28V	24VDC	86	≤60	66	≤250	2.23	≤0.6	11.4
HT-POG28B-2463	12-28V	24VDC	63	≤60	47.5	≤250	3.1	≤0.6	15.8
HT-POG28B-2445	12-28V	24VDC	45	≤60	34.5	≤250	4.25	≤0.6	21.5
HT-POG28B-2436	12-28V	24VDC	36	≤60	26	≤250	5	≤0.6	27.7
HT-POG28B-2426	12-28V	24VDC	26	≤60	18.8	≤250	7	≤0.6	38
HT-POG28B-2419	12-28V	24VDC	19	≤60	13.5	≤250	9.6	≤0.6	52
HT-POG28B-2414	12-28V	24VDC	14	≤60	9.7	≤250	13	≤0.6	70*
HT-POG28B-2410	12-28V	24VDC	10	≤60	6.6	≤250	18	≤0.6	70*
HT-POG28B-247.7	12-28V	24VDC	7.7	≤60	5.3	≤250	22	≤0.6	70*
HT-POG28B-242.9	12-28V	24VDC	2.9	≤60	1.5	≤250	44	≤0.6	70*

Remarks:

1. Shaft dimension can be customized.
2. The Voltage can be 6V, 12V, 24V; The DC Motor's speed is adjustable.
3. This gearbox can matched with other DC Motor.

- \* The datasheet is only for your reference.
- \* The parameter in the following table are adjustable upon your request.
- \* Contact us if you don't find your specs or motors. Suitable ones would be introduced to you by us.



# HT-POG32

## PLANETARY GEARBOX MOTOR

Brushed DC Gearmotor

WEIGHT: 230g(APPROX)

### Performance Range

Voltage: 6.0-36VDC  
 Speed: 0.9-1500rpm  
 Torque 0.5-90Kg.cm

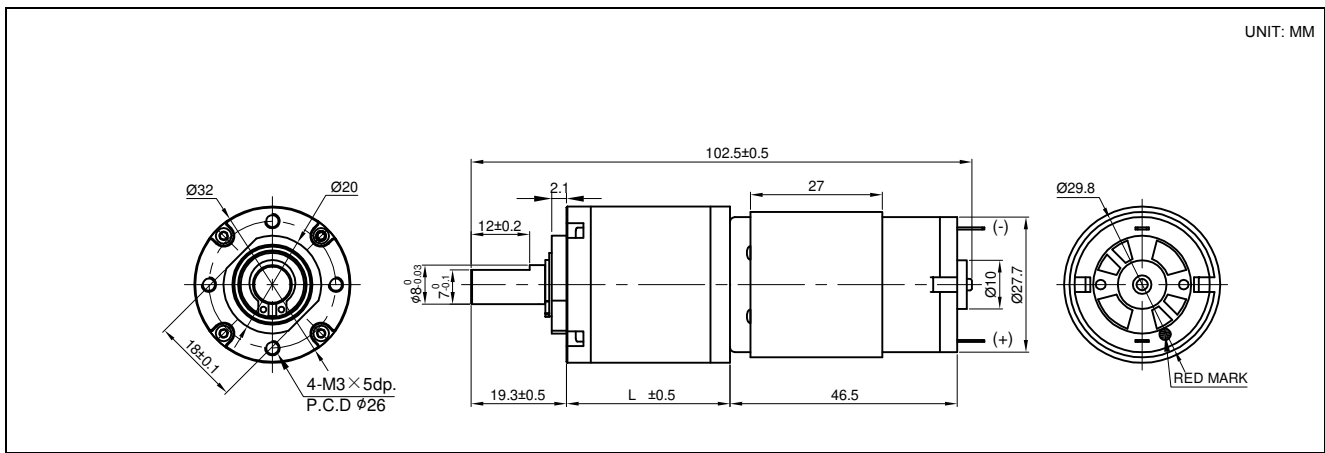
### Advantage

More Durable  
 Small size High Torque

### Typical Applications

Precise Equipment & machine  
 Banking and Vending System  
 Electric Valve

Gear Ratio Stage	1	2	3	4	5
Gear Ratio	4	14	51	189	977
	5	19	71	264	1367
		27	100	369	1911
			139	516	2672
				721	3736
Gearbox Length(L)mm	21.1	27.3	33.5	39.7	46



MODEL	VOLTAGE		NO LOAD		AT MAX EFFICIENCY			AT STALL	
	OPERATION RANGE	NOMINAL	SPEED r/min	CURRENT mA	SPEED r/min	CURRENT A	TORQUE kg.cm	CURRENT A	TORQUE kg.cm
HT-POG32-121500	9-14V	12VDC	1500	≤220	1350	≤1.2	0.65	≤5.0	2.88
HT-POG32-12461	9-14V	12VDC	461	≤220	373	≤1.2	1.9	≤5.0	9.36
HT-POG32-12285	9-14V	12VDC	285	≤220	231	≤1.2	3	≤5.0	15
HT-POG32-12162	9-14V	12VDC	162	≤220	128	≤1.2	5.2	≤5.0	26.6
HT-POG32-12115	9-14V	12VDC	115	≤220	90	≤1.2	7.3	≤5.0	37.5
HT-POG32-1283	9-14V	12VDC	83	≤220	65	≤1.2	9.7	≤5.0	51.8
HT-POG32-1261	9-14V	12VDC	61	≤220	47	≤1.2	13.4	≤5.0	71.2
HT-POG32-1247	9-14V	12VDC	47	≤220	34.5	≤1.2	16.5	≤5.0	90*
HT-POG32-1234	9-14V	12VDC	34	≤220	25	≤1.2	22.8	≤5.0	90*
HT-POG32-1225	9-14V	12VDC	25	≤220	17.7	≤1.2	30	≤5.0	90*
HT-POG32-1218	9-14V	12VDC	18	≤220	12.6	≤1.2	41.8	≤5.0	90*
HT-POG32-1213	9-14V	12VDC	13	≤220	9	≤1.2	50*	≤5.0	90*
HT-POG32-1210	9-14V	12VDC	10	≤220	6.8	≤1.2	50*	≤5.0	90*
HT-POG32-123.9	9-14V	12VDC	3.9	≤220	2.3	≤1.2	50*	≤5.0	90*

Remarks:

1. Shaft dimension can be customized.
2. The Voltage can be 6V, 12V, 24V; The DC Motor's speed is adjustable.
3. This gearbox can matched with other DC Motor.

\* The datasheet is only for your reference.

\* The parameter in the following table are adjustable upon your request.

\* Contact us if you don't find your specs or motors. Suitable ones would be introduced to you by us.



# HT-POG36

Brushed DC Gearmotor

## PLANETARY GEARBOX MOTOR

WEIGHT: 400g(APPROX)

### Performance Range

Voltage: 6.0-24VDC  
 Speed: 0.5-1500rpm  
 Torque 1-130kg.cm

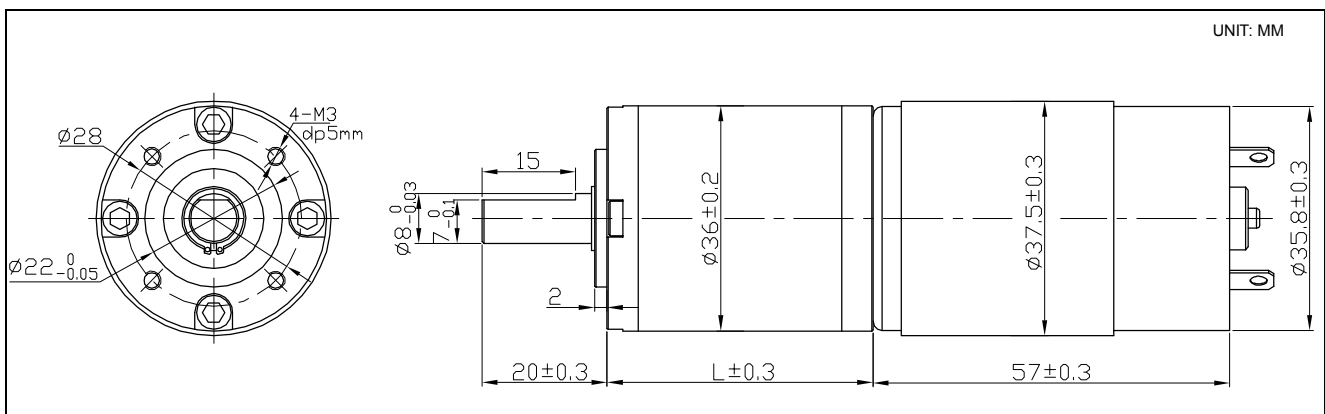
### Advantage

More Durable  
 Small size High Torque

### Typical Applications

Precise Equipment & machine  
 Banking and Vending System  
 Electric Valve and Robot

Gear Ratio Stage	1	2	3	4	5
Gear Ratio	3.7	14	51	189	977
	5.2	19	71	264	1367
		27	100	369	1910
			139	515	2671
				721	3736
Gearbox Length(L)mm	25.1	31.7	38.2	44.7	51.4



MODEL	VOLTAGE		NO LOAD		AT MAX EFFICIENCY			AT STALL	
	OPERATION RANGE	NOMINAL	SPEED r/min	CURRENT A	SPEED r/min	CURRENT A	TORQUE kg.cm	CURRENT A	TORQUE kg.cm
HT-POG36-121200	6.0-15.0	12VDC	1200	≤0.34	980	≤1.75	1.2	≤7.52	4.4
HT-POG36-12430	6.0-15.0	12VDC	430	≤0.34	360	≤1.75	2.7	≤7.52	10.5
HT-POG36-12320	6.0-15.0	12VDC	320	≤0.34	275	≤1.75	3.6	≤7.52	14.5
HT-POG36-12225	6.0-15.0	12VDC	225	≤0.34	190	≤1.75	5.4	≤7.52	24.5
HT-POG36-12120	6.0-15.0	12VDC	120	≤0.34	95	≤1.75	9.5	≤7.52	38
HT-POG36-1285	6.0-15.0	12VDC	85	≤0.34	68	≤1.75	12	≤7.52	48
HT-POG36-1260	6.0-15.0	12VDC	60	≤0.34	51	≤1.75	17.5	≤7.52	68
HT-POG36-1245	6.0-15.0	12VDC	45	≤0.34	36	≤1.75	25	≤7.52	100
HT-POG36-1230	6.0-15.0	12VDC	30	≤0.34	26	≤1.75	32	≤7.52	100
HT-POG36-1223	6.0-15.0	12VDC	23	≤0.34	19	≤1.75	42	≤7.52	100*
HT-POG36-1206	6.0-15.0	12VDC	6	≤0.34	5	≤1.75	60*	≤7.52	100*

### Remarks:

1. Shaft dimension can be customized.
2. The Voltage can be 6V, 12V, 24V; The DC Motor's speed is adjustable.
3. This gearbox can matched with other DC Motor.

\* The datasheet is only for your reference.

\* The parameter in the following table are adjustable upon your request.

\* Contact us if you don't find your specs or motors. Suitable ones would be introduced to you by us.



# HT-POG42

## PLANETARY GEARBOX MOTOR

WEIGHT: 700g(APPROX)

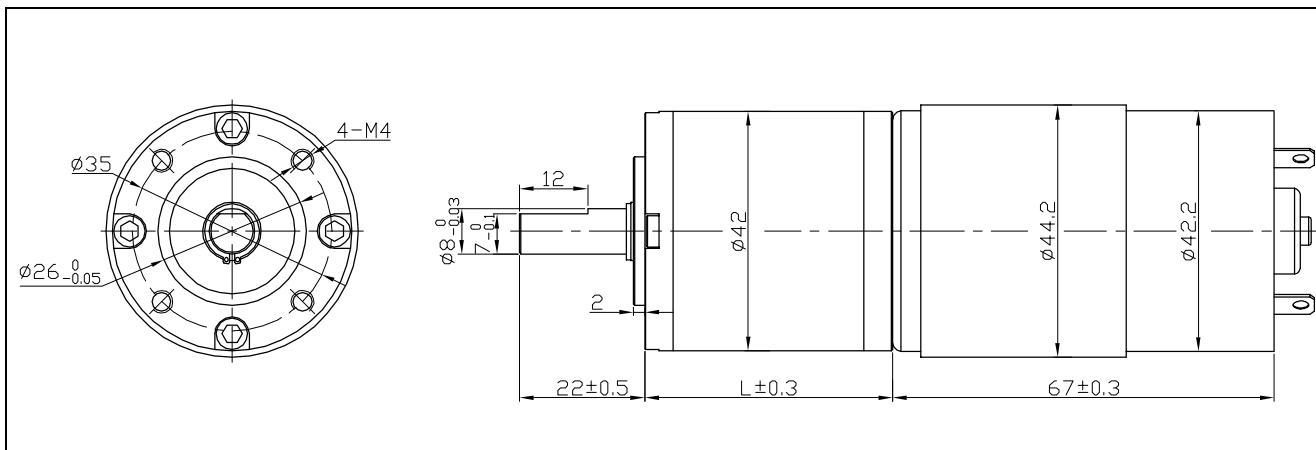
### Performance Range

Voltage: 12-24VDC  
 Speed: 0.5-1500rpm  
 Torque 1-200kg.cm

### Typical Applications

Precise Equipment & machine  
 Automatic Door and Dispenser  
 Electric Valve and Robot

Gear Ratio Stage	1	2	3	4	5
Gear Ratio	3.7	13	49	181	977
	5.1	18	67	246	1367
		25	92	336	1911
			125	458	2672
				625	
Gearbox Length(L)mm	33.7	43.7	53.7	63.7	77



MODEL	VOLTAGE		NO LOAD		AT MAX EFFICIENCY			AT STALL	
	OPERATION RANGE	NOMINAL	SPEED r/min	CURRENT mA	SPEED r/min	CURRENT A	TORQUE kg.cm	CURRENT A	TORQUE kg.cm
HT-POG42-24750	9-15V	12VDC	900	≤450	810	≤2.0	2.3	≤6.5	10
HT-POG42-24158	9-15V	12VDC	450	≤450	360	≤2.0	6	≤6.5	38
HT-POG42-24111	9-15V	12VDC	166	≤450	122	≤2.0	11	≤6.5	54
HT-POG42-2459	9-15V	12VDC	88	≤450	70	≤2.0	18	≤6.5	102
HT-POG42-2442	9-15V	12VDC	63	≤450	46	≤2.0	26	≤6.5	142
HT-POG42-2430	9-15V	12VDC	45	≤450	33	≤2.0	36	≤6.5	199
HT-POG42-2422	9-15V	12VDC	32	≤450	23.5	≤2.0	51	≤6.5	278
HT-POG42-2416	9-15V	12VDC	24	≤450	15.8	≤2.0	68	≤6.5	300*
HT-POG42-2411	9-15V	12VDC	17	≤450	11	≤2.0	86	≤6.5	300*
HT-POG42-2408	9-15V	12VDC	12	≤450	8	≤2.0	120	≤6.5	300*
HT-POG42-2406	9-15V	12VDC	8.7	≤450	5.6	≤2.0	167	≤6.5	300*
HT-POG42-2403	9-15V	12VDC	4.6	≤450	2.8	≤2.0	200*	≤6.5	300*
HT-POG42-242.2	9-15V	12VDC	3.3	≤450	2.0	≤2.0	200*	≤6.5	300*
HT-POG42-240.8	9-15V	12VDC	1.2	≤450	0.7	≤2.0	200*	≤6.5	300*

Remarks:

1. Shaft dimension can be customized.
2. The Voltage can be 12V, 24V; The DC Motor's speed is adjustable.
3. This gearbox can matched with other DC Motor.



\* The datasheet is only for your reference.

\* The parameter in the following table are adjustable upon your request.

\* Contact us if you don't find your specs or motors. Suitable ones would be introduced to you by us.



# HT-POG45

Brushed DC Gearmotor

PLANETARY GEARBOX MOTOR

WEIGHT: 500g(APPROX)

### Performance Range

Voltage: 12-24VDC  
 Speed: 0.5-1500rpm  
 Torque 1-300kg.cm

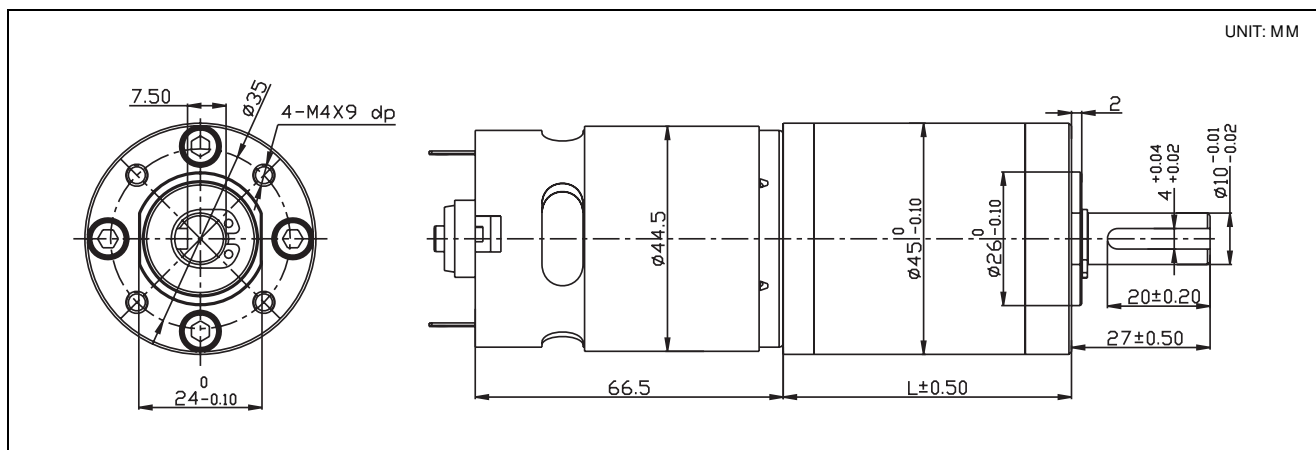
### Advantage

More Durable  
 Small size High Torque

### Typical Applications

Precise Equipment & machine  
 Automatic Door and Dispenser  
 Electric Valve and Robot

Gear Ratio Stage	1	2	3	4	5
Gear Ratio	3.7	10	32.5	139	699
		14	51	188	977
		19	71	369	1367
			100	516	1911
					2672
Gearbox Length(L)mm	32	43	54.5	65.7	77



MODEL	VOLTAGE		NO LOAD		AT MAX EFFICIENCY			AT STALL	
	OPERATION RANGE	NOMINAL	SPEED r/min	CURRENT mA	SPEED r/min	CURRENT A	TORQUE kg.cm	CURRENT A	TORQUE kg.cm
HT-POG45-12900	9-15V	12VDC	900	≤450	810	≤2.0	2.3	≤6.5	10
HT-POG45-121450	9-15V	12VDC	450	≤450	360	≤2.0	6	≤6.5	38
HT-POG45-12166	9-15V	12VDC	166	≤450	122	≤2.0	11	≤6.5	54
HT-POG45-1288	9-15V	12VDC	88	≤450	70	≤2.0	18	≤6.5	102
HT-POG45-1263	9-15V	12VDC	63	≤450	46	≤2.0	26	≤6.5	142
HT-POG45-1245	9-15V	12VDC	45	≤450	33	≤2.0	36	≤6.5	199
HT-POG45-1232	9-15V	12VDC	32	≤450	23.5	≤2.0	51	≤6.5	278
HT-POG45-1224	9-15V	12VDC	24	≤450	15.8	≤2.0	68	≤6.5	300*
HT-POG45-1217	9-15V	12VDC	17	≤450	11	≤2.0	86	≤6.5	300*
HT-POG45-1212	9-15V	12VDC	12	≤450	8	≤2.0	120	≤6.5	300*
HT-POG45-128.7	9-15V	12VDC	8.7	≤450	5.6	≤2.0	167	≤6.5	300*
HT-POG45-124.6	9-15V	12VDC	4.6	≤450	2.8	≤2.0	200*	≤6.5	300*
HT-POG45-123.3	9-15V	12VDC	3.3	≤450	2.0	≤2.0	200*	≤6.5	300*
HT-POG45-121.2	9-15V	12VDC	1.2	≤450	0.7	≤2.0	200*	≤6.5	300*

Remarks:

1. Shaft dimension can be customized.
2. The Voltage can be 6V, 12V, 24V; The DC Motor's speed is adjustable.
3. This gearbox can matched with other DC Motor.

- \* The datasheet is only for your reference.
- \* The parameter in the following table are adjustable upon your request.
- \* Contact us if you don't find your specs or motors. Suitable ones would be introduced to you by us.



# HT-WOG34

Brushed DC Gearmotor

**Worm geared DC motor**

WEIGHT: 45g(APPROX)

**Performance Range**

Voltage: 3~12VDC  
 Speed: 20~120rpm  
 Torque: 0.1~8kg.cm

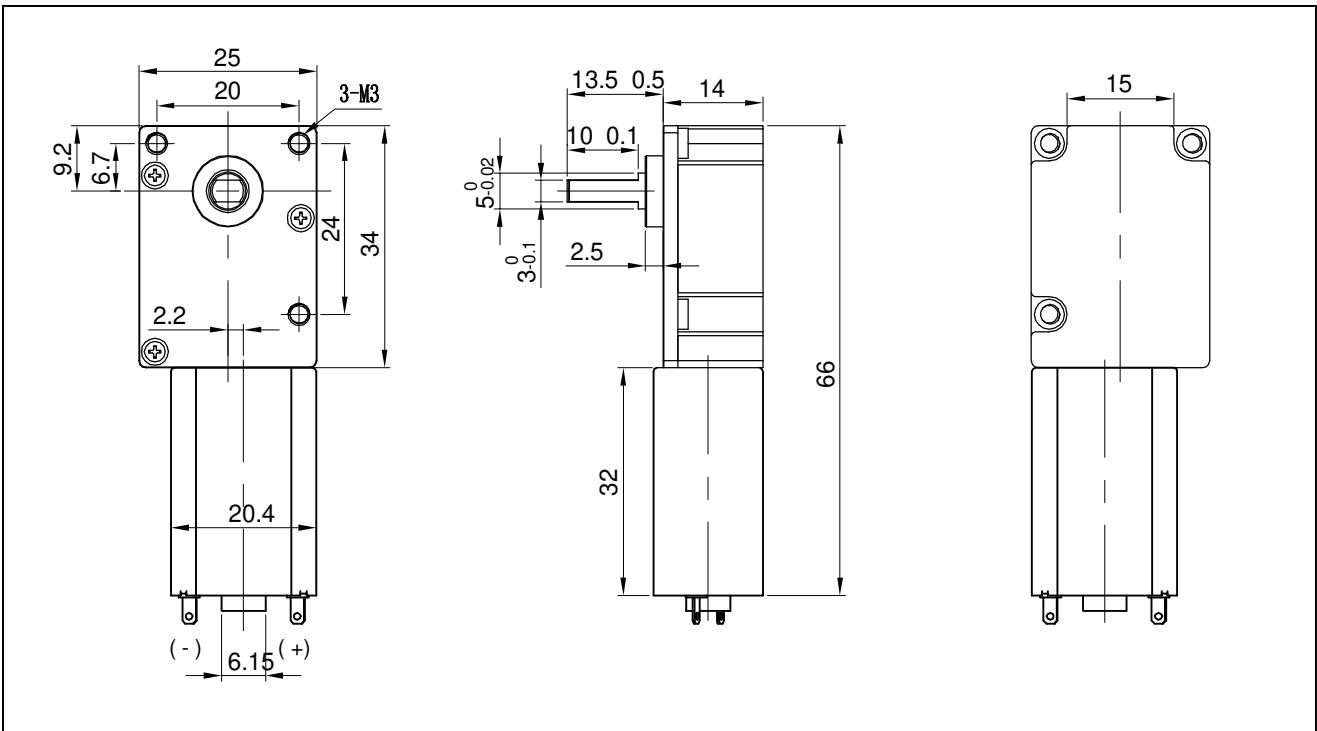
**Advantage**

Very Low Noise  
 Self-Lock

**Key Feature**

Low noise  
 Small Backlash  
 High Holding Torque

Gear Ratio Stage	3	4	5
Gear Ratio	65.6		
	131		
Gearbox Length(L)			



MODEL	VOLTAGE		NO LOAD		AT MAX EFFICIENCY			AT STALL	
	OPERATION RANGE	NOMINAL	SPEED r/min	CURRENT A	SPEED r/min	CURRENT A	TORQUE kg.cm	CURRENT A	TORQUE kg.cm
HT-WGM34A-0675	3.0-6.0	6.0	75	≤0.08	64	≤0.3	0.43	≤1.3	1.8
HT-WGM34A-0638	3.0-6.1	6.0	38	≤0.08	30	≤0.3	0.86	≤1.3	3
HT-WGM34A-1292	6-12.0	12.0	92	≤0.06	76	≤0.2	0.67	≤0.9	3
HT-WGM34A-1246	6-12.1	12.0	46	≤0.07	38	≤0.2	1.3	≤0.9	5.0

**Remarks:**

1. Shaft dimension can be customized.
2. The Voltage can be 3V,6V, 9V, 12V, 24V; The DC Motor's speed is adjustable.
3. This gearbox can matched with other DC Motor.

- \* The datasheet is only for your reference.
- \* The parameter in the following table are adjustable upon your request.
- \* Contact us if you don't find your specs or motors. Suitable ones would be introduced to you by us.



# HT-WOG34B

**Brushed DC Gearmotor**

**Worm Geared DC Motor**

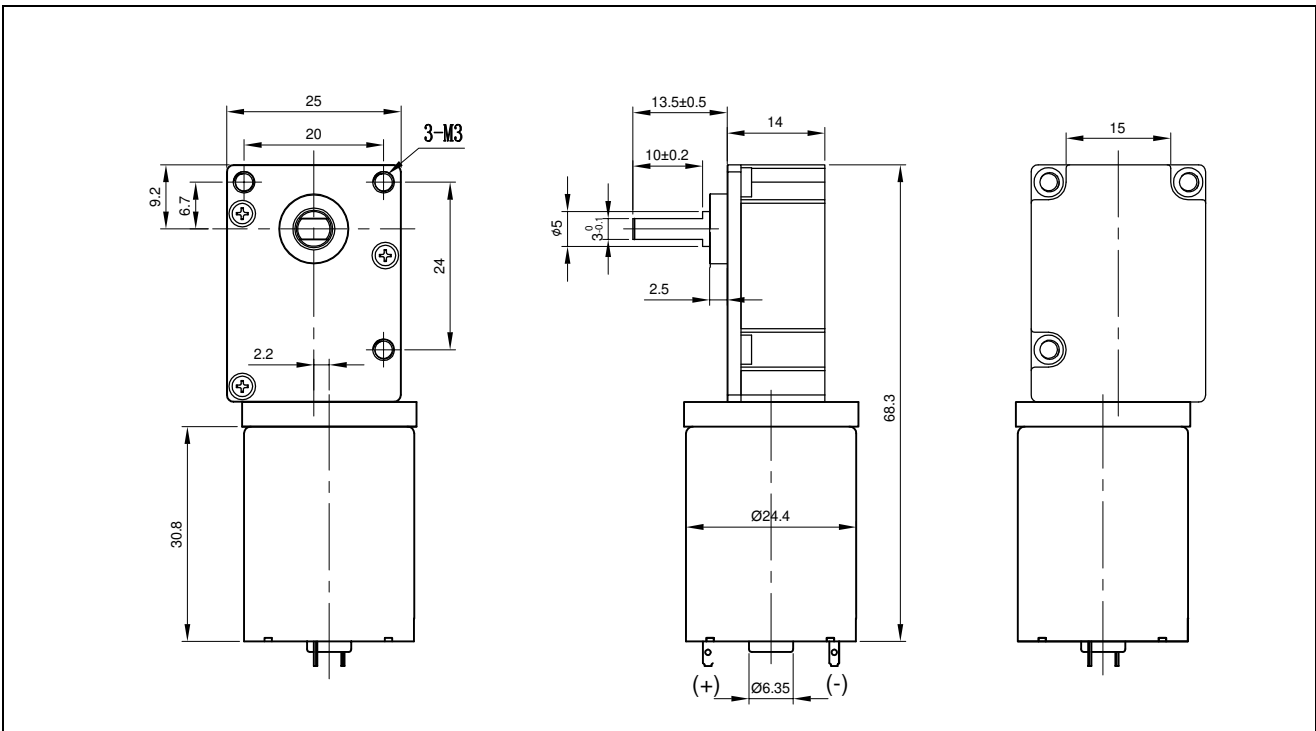
WEIGHT: 45g(APPROX)

**Performance Range**  
 Voltage: 3~24VDC  
 Speed: 15~150rpm  
 Torque: 0.1~8kg.cm

**Advantage**  
 Very Low noise  
 Self-Lock

**Key Feature**  
 Low noise  
 Small Backlash  
 High Holding Torque

Gear Ratio Stage	3	4	5
Gear Ratio	65.6	352	
	131		
Gearbox Length(L)			



MODEL	VOLTAGE		NO LOAD		AT MAX EFFICIENCY			AT STALL	
	OPERATION RANGE	NOMINAL	SPEED	CURRENT	SPEED	CURRENT	TORQUE	CURRENT	TORQUE
			r/min	A	r/min	A	kg.cm	A	kg.cm
HT-WOG34B	9.0-14.0	12VDC	91	≤0.04	76	≤0.15	0.95	≤1.5	3.6
HT-WOG34B	9.0-14.0	12VDC	45	≤0.04	38	≤0.15	1.9	≤1.5	8
HT-WOG34B	3.0-6.0	6VDC	22	≤0.06	18	≤0.35	0.9	≤2.5	4.2
HT-WOG34B	12.0-24.0	24VDC	34	≤0.035	26	≤0.10	1.45	≤0.7	7.8
HT-WOG34B	12.0-24.0	24VDC	45	≤0.035	38	≤0.10	2	≤0.7	5

1. Shaft dimension can be customized.
2. The Voltage can be 3V,6V, 9V, 12V, 24V; The DC Motor's speed is adjustable.
3. This gearbox can matched with other DC Motor.

- \* The datasheet is only for your reference.
- \* The parameter in the following table are adjustable upon your request.
- \* Contact us if you don't find your specs or motors. Suitable ones would be introduced to you by us.



# HT-WOG46

Brushed DC Gearmotor

**Worm geared DC motor**

WEIGHT: 145g(APPROX)

**Performance Range**

Voltage: 3~12VDC  
 Speed: 1~160rpm  
 Torque: 1~30kg.cm

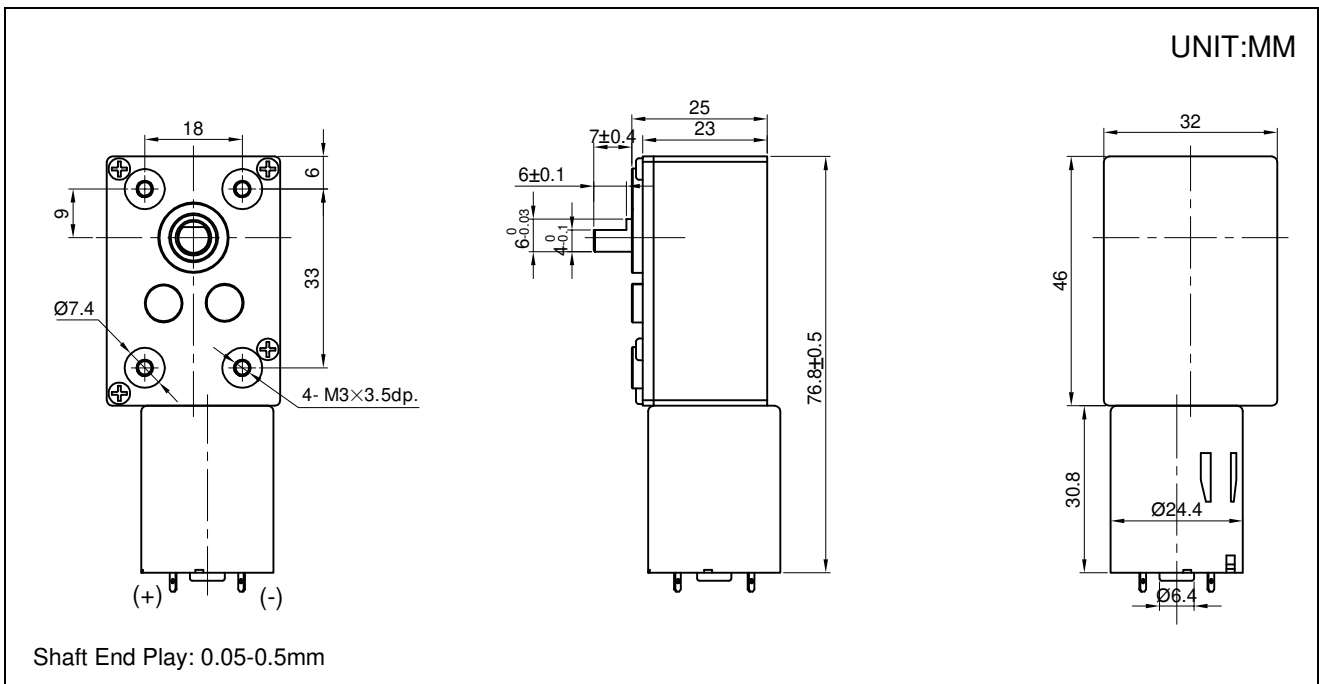
**Advantage**

Very Low Noise  
 Self-Lock

**Key Feature**

Low noise  
 Small Backlash  
 High Holding Torque

Gear Ratio Stage	3	4	5	
Gear Ratio	49	350	1587	
	102	700	2450	
	158			
	205			
	317			
Gearbox Length(L)				



MODEL	VOLTAGE		NO LOAD		AT MAX EFFICIENCY			AT STALL	
	OPERATION RANGE	NOMINAL	SPEED	CURRENT	SPEED	CURRENT	TORQUE	CURRENT	TORQUE
			r/min	A	r/min	A	kg.cm	A	kg.cm
HT-WOG46-1232	9.0-14.0	12VDC	32	≤0.06	25	≤0.23	2.8	≤1.25	11.8
HT-WOG46-1220	9.0-14.0	12VDC	20	≤0.06	16	≤0.23	4.2	≤1.26	16.8
HT-WOG46-128.5	9.0-14.0	12VDC	8.5	≤0.06	7	≤0.23	8.6	≤1.26	52
HT-WOG46-1204	9.0-14.0	12VDC	4	≤0.06	3	≤0.23	18.5	≤1.26	74
HT-WOG46-122.5	9.0-14.0	12VDC	2.5	≤0.06	2	≤0.23	30	≤1.26	90
HT-WOG46-2430	18.0-24.0	24VDC	30	≤0.02	22	≤0.05	1.1	≤0.16	4.2
HT-WOG46-2420	18.0-24.0	24VDC	20	≤0.07	15	≤0.16	2.4	≤0.16	9.5
HT-WOG46-2409	18.0-24.0	24VDC	9	≤0.07	7.6	≤0.16	5.2	≤0.16	21
HT-WOG46-0308	2.5-5.0	3VDC	8	≤0.12	6.5	≤0.62	8.4	≤1.7	25.5
HT-WOG46-0305	2.5-5.0	3VDC	5	≤0.12	3.5	≤0.62	13.5	≤1.7	55
HT-WOG46-0303	2.5-5.0	3VDC	3	≤0.12	2.2	≤0.62	25	≤1.7	90

- Remarks:
1. Shaft dimension can be customized.
  2. The Voltage can be 3V,6V, 9V, 12V, 24V; The DC Motor's speed is adjustable.
  3. This gearbox can matched with other DC Motor.

\* The datasheet is only for your reference.

\* The parameter in the following table are adjustable upon your request.

\* Contact us if you don't find your specs or motors. Suitable ones would be introduced to you by us.



# HT-WOG58A

Brushed DC Gearmotor

Worm geared DC motor

WEIGHT:390g (APPROX)

### Performance Range

Voltage: 3~12VDC  
 Speed: 1~160rpm  
 Torque: 1~30kg.cm

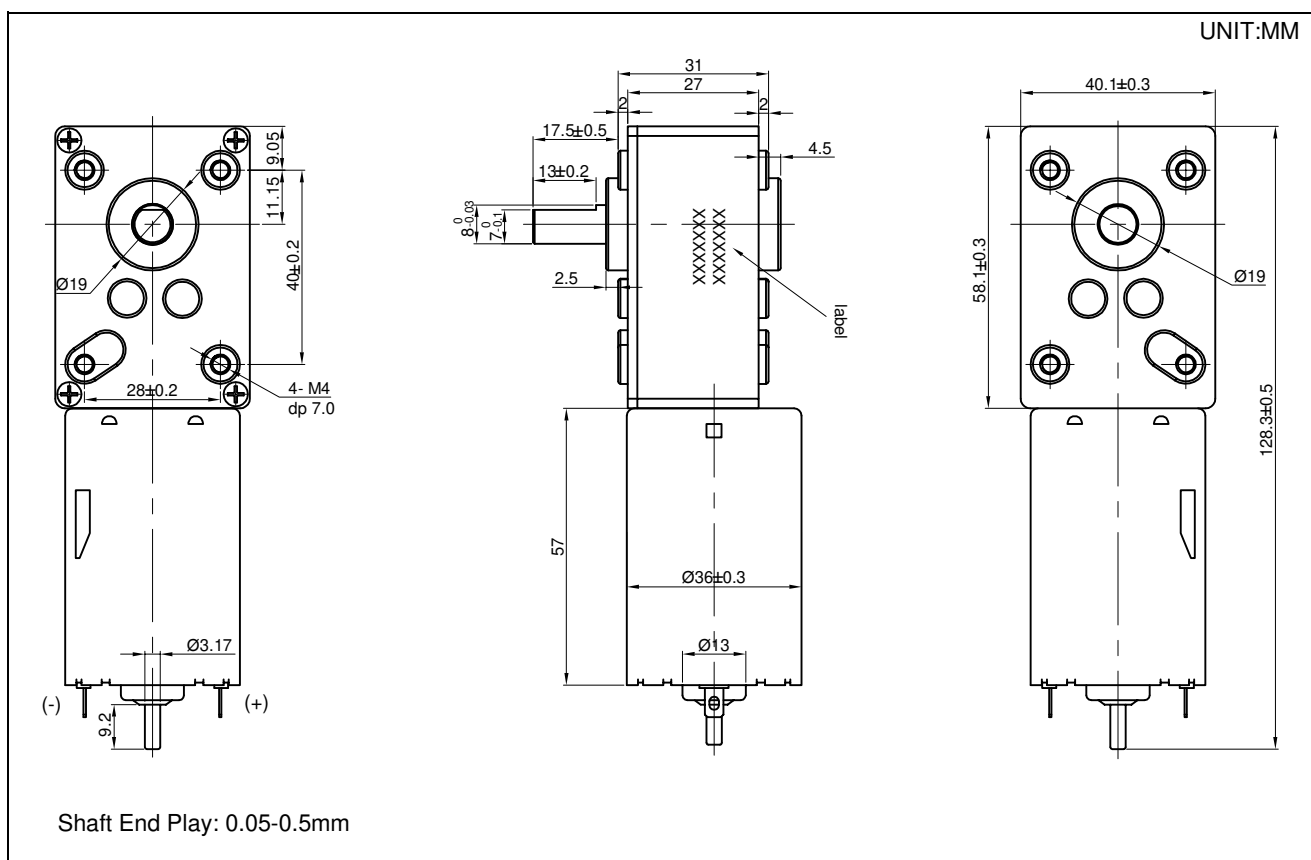
### Advantage

Very Low Noise  
 Self-Lock

### Key Feature

Low noise  
 Small Backlash  
 High Holding Torque

Gear Ratio Stage	3	4	5	
Gear Ratio	49	350	1587	
	102	700	2450	
	158			
	205			
	317			
Gearbox Length(L)				



MODEL	VOLTAGE		NO LOAD		AT MAX EFFICIENCY			AT STALL	
	OPERATION RANGE	NOMINAL	SPEED	CURRENT	SPEED	CURRENT	TORQUE	CURRENT	TORQUE
			r/min	A	r/min	A	kg.cm	A	kg.cm
HT-WOG58A-12124	9.0-14.0	12VDC	124	≤0.40	108	≤1.6	11	≤6.05	44
HT-WOG58A-1212	9.0-14.0	12VDC	12	≤0.40	10.5	≤1.6	81	≤6.05	200
HT-WOG58A-1245	9.0-14.0	12VDC	45	≤0.40	38	≤1.6	28	≤6.05	108
HT-WOG58A-1212	9.0-14.0	12VDC	82	≤0.40	70	≤1.6	14.5	≤6.05	58
HT-WOG58A-1221	9.0-14.0	12VDC	21	≤0.40	18	≤1.6	50	≤6.05	150
HT-WOG58A-2410.5	12.0-24.0	24VDC	10.5	≤0.10	8	≤0.5	33	≤2.25	120*
HT-WOG58A-2406	12.0-24.0	24VDC	6	≤0.10	4.6	≤0.5	51	≤2.25	200*
HT-WOG58A-244.5	12.0-24.0	24VDC	4.5	≤0.10	3.5	≤0.5	60	≤2.25	180*
HT-WOG58A-242.5	12.0-24.0	24VDC	2.5	≤0.10	1.8	≤0.5	72	≤2.25	200

Remarks:

1. Shaft dimension can be customized.
2. The Voltage can be 3V,6V, 9V, 12V, 24V; The DC Motor's speed is adjustable.
3. This gearbox can matched with other DC Motor.

- \* The datasheet is only for your reference.
- \* The parameter in the following table are adjustable upon your request.
- \* Contact us if you don't find your specs or motors. Suitable ones would be introduced to you by us.



# HT-WOG58B

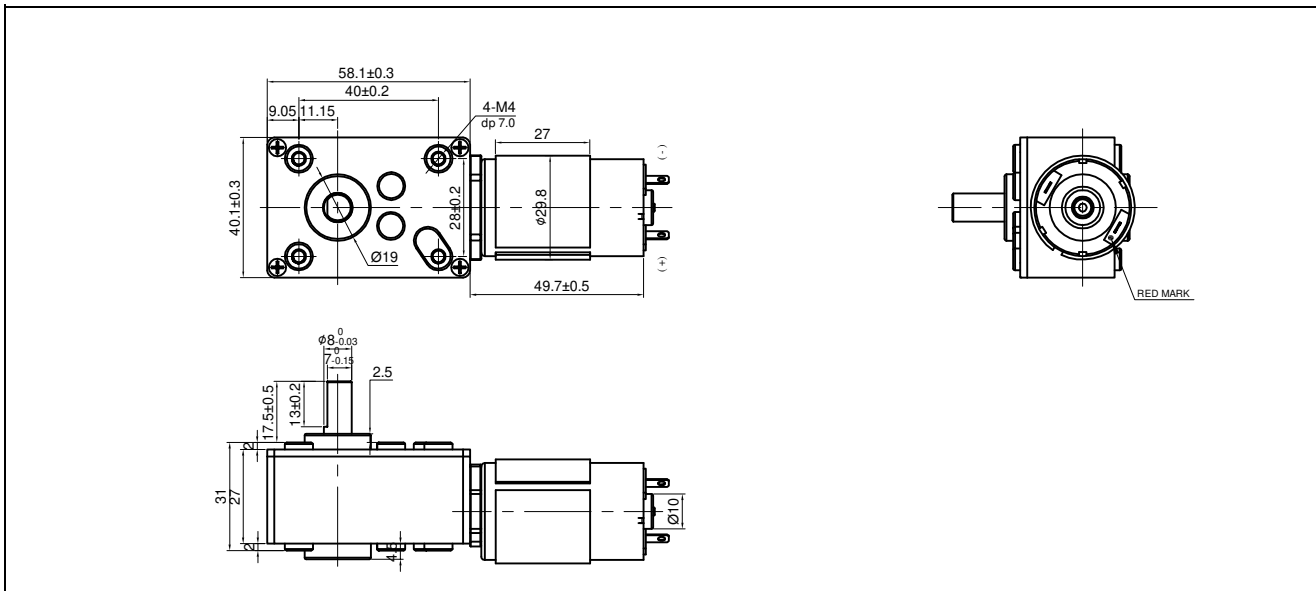
## Brushed DC GEARMOTOR

### Worm Geared DC Motor

WEIGHT: 165g(APPROX)

Performance Range	Advantage	Key Feature
Voltage: 6~24VDC	Very low noise	Low noise
Speed: 1~120rpm	Self-Lock	Small Backlash
Torque: 1~80kg.cm		High Holding Torque

Gear Ratio Stage	3	4	5
Gear Ratio	49	350	1587
	102	700	2450
	158		
	205		
	317		
Gearbox Length(L)			



MODEL	VOLTAGE		NO LOAD		AT MAX EFFICIENCY			AT STALL	
	OPERATION RANGE	NOMINAL	SPEED	CURRENT	SPEED	CURRENT	TORQUE	CURRENT	TORQUE
			r/min	A	r/min	A	kg.cm	A	kg.cm
HT-WOG58B-12122	9.0-14.0	12VDC	122	≤0.20	100	≤0.50	3.5	≤4.05	15
HT-WOG58B-1260	9.0-14.0	12VDC	60	≤0.20	50	≤0.50	7	≤4.05	30
HT-WOG58B-1227	9.0-14.0	12VDC	27	≤0.20	23	≤0.50	14.5	≤4.05	60
HT-WOG58B-1220	9.0-14.0	12VDC	20	≤0.20	17	≤0.50	19	≤4.05	80
HT-WOG58B-1228	9.0-14.0	12VDC	28	≤0.20	23	≤0.50	38	≤4.05	150
HT-WOG58B-1211	9.0-14.0	12VDC	11	≤0.20	10	≤0.50	32	≤4.05	120
HT-WOG58B-1291	9.0-14.0	12VDC	91	≤0.20	67	≤0.50	4	≤4.05	25
HT-WOG58B-1245	9.0-14.0	12VDC	45	≤0.18	36	≤0.50	4.8	≤4.05	30
HT-WOG58B-1215	9.0-14.0	12VDC	15	≤0.18	12	≤0.45	14	≤3.65	60

Remarks:

1. Shaft dimension can be customized.
2. The Voltage can be 6V, 9V, 12V, 24V; The DC Motor's speed is adjustable.
3. This gearbox can matched with other DC Motor.

\* The datasheet is only for your reference.

\* The parameter in the following table are adjustable upon your request.

\* Contact us if you don't find your specs or motors. Suitable ones would be introduced to you by us.



# HT-WOG58C

## Brushed DC GEARMOTOR

### Worm Geared DC Motor

WEIGHT: 165g(APPROX)

#### Performance Range

Voltage: 6~24VDC

Speed: 1~160rpm

Torque: 1~30kg.cm

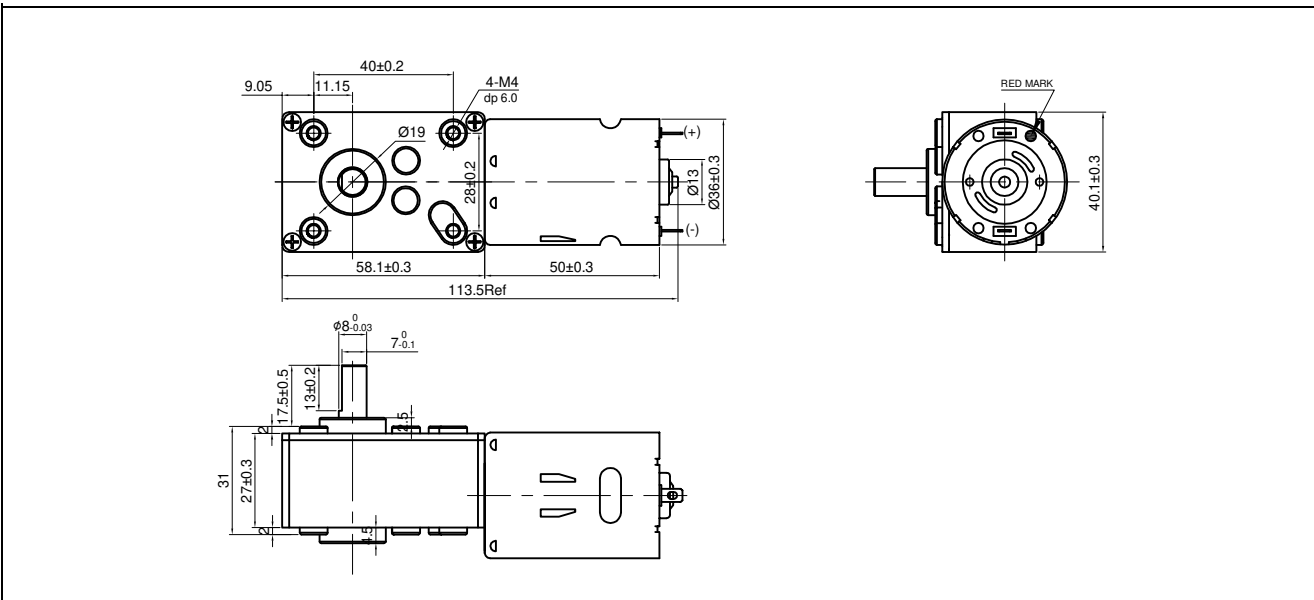
#### Key Feature

Low noise

Small Backlash

High Holding Torque

Gear Ratio Stage	3	4	5	
Gear Ratio	49	350	1587	
	102	700	2450	
	158			
	205			
	317			
Gearbox Length(L)				

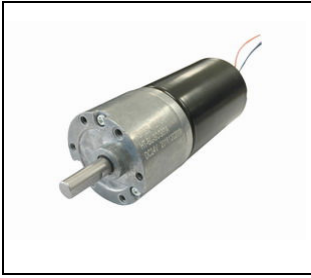


MODEL	VOLTAGE		NO LOAD		AT MAX EFFICIENCY			AT STALL	
	OPERATION RANGE	NOMINAL	SPEED r/min	CURRENT A	SPEED r/min	CURRENT A	TORQUE kg.cm	CURRENT A	TORQUE kg.cm
HT-WOG58C-24122	12.0-24.0	24VDC	122	≤0.22	102	≤0.69	7.1	≤3.5	30
HT-WOG58C-2420	12.0-24.0	24VDC	20	≤0.22	17	≤0.69	38	≤3.5	150
HT-WOG58C-2409	12.0-24.0	24VDC	9	≤0.22	8	≤0.69	75	≤3.5	200
HT-WOG58C-1290	9.0-14.0	12VDC	90	≤0.38	78	≤1.2	5	≤6.8	20
HT-WOG58C-1260	9.0-14.0	12VDC	60	≤0.38	50	≤1.2	8	≤6.8	42
HT-WOG58C-1245	9.0-14.0	12VDC	45	≤0.38	37	≤1.2	11	≤6.8	50
HT-WOG58C-1220	9.0-14.0	12VDC	20	≤0.38	17	≤1.2	24	≤6.8	150
HT-WOG58C-123.5	9.0-14.0	12VDC	3.5	≤0.38	3	≤1.2	78	≤6.8	150

Remarks:

1. Shaft dimension can be customized.
2. The Voltage can be 6V, 9V, 12V, 24V; The DC Motor's speed is adjustable.
3. This gearbox can matched with other DC Motor.

- \* The datasheet is only for your reference.
- \* The parameter in the following table are adjustable upon your request.
- \* Contact us if you don't find your specs or motors. Suitable ones would be introduced to you by us.



# HT-BL-SOG37A

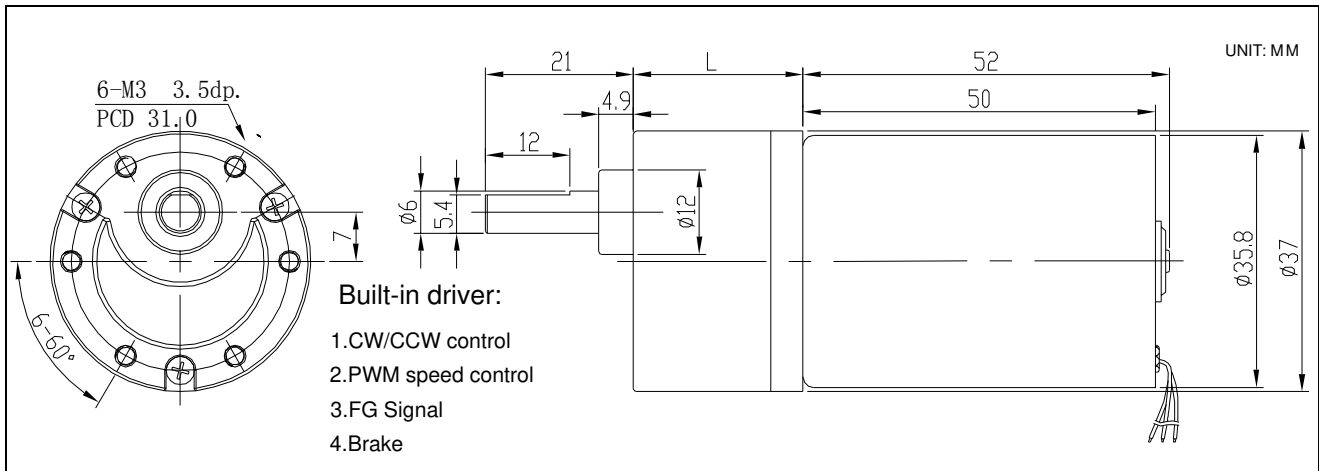
Brushless Gear Motors

Spur Geared DC Motor

WEIGHT: 400g(APPROX)

Performance Range	Advantage	Typical Applications
Voltage: 6~24VDC	Very Low Noise	Vending and Banking System
Speed: 1~900rpm	Long lifetime	Sanitary and Cleaning
Torque: 0.5~100kg.cm	Built-in Driver	Robotics and Equipment

Gear Ratio Stage	2	3	4	5	6
Gear Ratio	10	20	50	120	450
		30	70	150	490
			90	210	630
				270	810
Gearbox Length(L)	24.5			29	



MODEL	VOLTAGE		NO LOAD		AT MAX EFFICIENCY			AT STALL	
	OPERATION RANGE	NOMINAL	SPEED	CURRENT	SPEED	CURRENT	TORQUE	CURRENT	TORQUE
			r/min	A	r/min	A	kg.cm	A	kg.cm
HT-BL-SOG37A-12500	10.0-14.0	12.0	500	≤0.20	400	≤0.35	1.6	≤3.5	8
HT-BL-SOG37A-12250	10.0-14.0	12.0	250	≤0.20	200	≤0.35	3.2	≤3.5	16
HT-BL-SOG37A-12167	10.0-14.0	12.0	167	≤0.20	133	≤0.35	4.8	≤3.5	24
HT-BL-SOG37A-12100	10.0-14.0	12.0	100	≤0.20	78	≤0.35	7.5	≤3.5	40
HT-BL-SOG37A-1271	10.0-14.0	12.0	71	≤0.20	55	≤0.35	10.5	≤3.5	56
HT-BL-SOG37A-1255	10.0-14.0	12.0	55	≤0.20	42	≤0.35	13.5	≤3.5	72
HT-BL-SOG37A-1242	10.0-14.0	12.0	42	≤0.20	32	≤0.35	17	≤3.5	96
HT-BL-SOG37A-1233	10.0-14.0	12.0	33	≤0.20	25	≤0.35	22	≤3.5	100*
HT-BL-SOG37A-1212	10.0-14.0	12.0	12	≤0.20	18	≤0.35	30	≤3.5	100*
HT-BL-SOG37A-1218	10.0-14.0	12.0	18	≤0.20	13	≤0.35	38	≤3.5	100*
HT-BL-SOG37A-1211	10.0-14.0	12.0	11	≤0.20	8	≤0.35	63	≤3.5	100*
HT-BL-SOG37A-1210	10.0-14.0	12.0	10	≤0.20	7	≤0.35	67	≤3.5	100*
HT-BL-SOG37A-1208	10.0-14.0	12.0	8	≤0.20	5	≤0.35	82	≤3.5	100*
HT-BL-SOG37A-1206	10.0-14.0	12.0	6	≤0.20	4	≤0.35	100*	≤3.5	100*

Remarks:

1. Shaft dimension can be customized.
2. The Voltage can be 6V, 9V, 12V, 24V; The DC Motor's speed is adjustable.
3. This gearbox can matched with other DC Motor.



- \* The datasheet is only for your reference.
- \* The parameter in the following table are adjustable upon your request.
- \* Contact us if you don't find your specs or motors. Suitable ones would be introduced to you by us.



# HT-BL-SOG37B

Brushless Gear Motors

Spur Geared DC Motor

WEIGHT: 300g(APPROX)

### Performance Range

Voltage: 6~24VDC  
 Speed: 1~800rpm  
 Torque: 0.5~100kg.cm

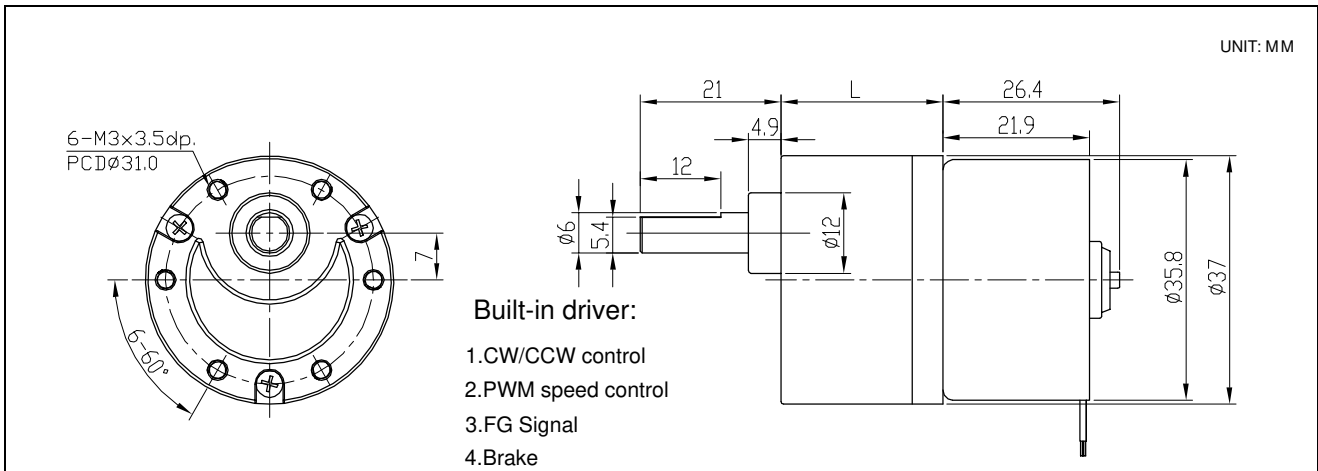
### Advantage

Very Low Noise  
 Long lifetime  
 Built-in Driver

### Typical Applications

Equipment and Apparatus  
 Office Autotamation  
 Ventilation Fan

Gear Ratio Stage	2	3	4	5	6
Gear Ratio	10	20	50	120	450
		30	70	150	490
			90	210	630
				270	810
Gearbox Length(L)	24.5			29	



MODEL	VOLTAGE		NO LOAD		AT MAX EFFICIENCY			AT STALL	
	OPERATION RANGE	NOMINAL	SPEED	CURRENT	SPEED	CURRENT	TORQUE	CURRENT	TORQUE
			r/min	A	r/min	A	kg.cm	A	kg.cm
HT-BL-SOG37B-24240	20.0-28.0	24	240	≤0.07	192	≤0.25	0.24	≤0.95	2
HT-BL-SOG37B-24120	20.0-28.0	24	120	≤0.07	96	≤0.25	0.48	≤0.95	4
HT-BL-SOG37B-2480	20.0-28.0	24	80	≤0.07	61	≤0.25	0.72	≤0.95	6
HT-BL-SOG37B-2448	20.0-28.0	24	48	≤0.07	36	≤0.25	1.2	≤0.95	10
HT-BL-SOG37B-2434	20.0-28.0	24	34	≤0.07	25	≤0.25	1.6	≤0.95	14
HT-BL-SOG37B-2427	20.0-28.0	24	27	≤0.07	20	≤0.25	2	≤0.95	18
HT-BL-SOG37B-2420	20.0-28.0	24	20	≤0.07	14.5	≤0.25	2.7	≤0.95	24
HT-BL-SOG37B-2416	20.0-28.0	24	16	≤0.07	11.5	≤0.25	3.3	≤0.95	30
HT-BL-SOG37B-2411.5	20.0-28.0	24	11.5	≤0.07	8	≤0.25	4.6	≤0.95	42
HT-BL-SOG37B-2409	20.0-28.0	24	9	≤0.07	6	≤0.25	6	≤0.95	54
HT-BL-SOG37B-245.3	20.0-28.0	24	5.3	≤0.07	3.7	≤0.25	10	≤0.95	90
HT-BL-SOG37B-2405	20.0-28.0	24	5	≤0.07	3.4	≤0.25	11	≤0.95	100*
HT-BL-SOG37B-243.8	20.0-28.0	24	3.8	≤0.07	2.5	≤0.25	12	≤0.95	100*
HT-BL-SOGB37B-2403	20.0-28.0	24	3	≤0.07	2	≤0.25	15	≤0.95	100*

Remarks:

1. Shaft dimension can be customized.
2. The Voltage can be 6V, 9V, 12V, 24V; The DC Motor's speed is adjustable.
3. This gearbox can matched with other DC Motor.

\* The datasheet is only for your reference.

\* The parameter in the following table are adjustable upon your request.

\* Contact us if you don't find your specs or motors. Suitable ones would be introduced to you by us.



# HT-BL-SOG51A

Brushless Gear Motors

Spur Geared DC Motor

WEIGHT: 520g(APPROX)

### Performance Range

Voltage: 6~24VDC  
 Speed: 1~1500rpm  
 Torque: 1~500kg.cm

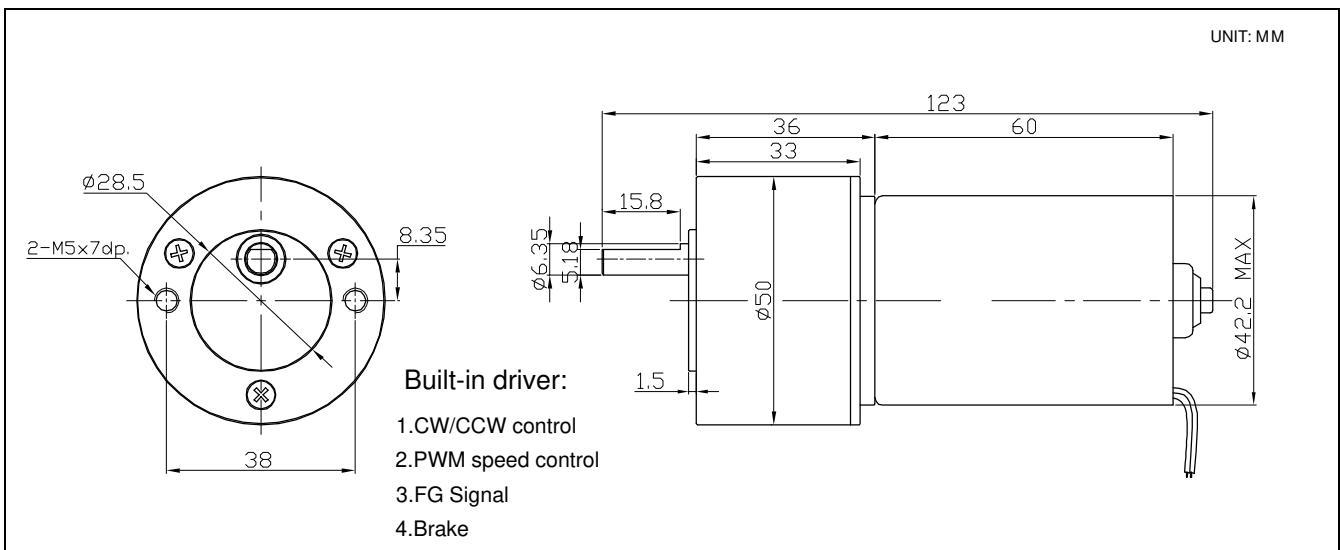
### Advantage

Very Low Noise  
 Long lifetime  
 Built-in Driver

### Typical Applications

Vending and Banking System  
 Equipment and Apparatus  
 Robotic

Gear Ratio Stage	2	3	4	5	6
Gear Ratio	5.9	19.7	65.5	218	728
	9.9	33	110	367	1223
Gearbox Length(L)	37.5				



MODEL	VOLTAGE		NO LOAD		AT MAX EFFICIENCY			AT STALL	
	OPERATION RANGE	NOMINAL	SPEED	CURRENT	SPEED	CURRENT	TORQUE	CURRENT	TORQUE
			r/min	A	r/min	A	kg.cm	A	kg.cm
HT-BL-SOG51A-24850	9.0-28.0	24VDC	850	≤0.35	678	≤1.5	2.4	≤6.0	12
HT-BL-SOG51A-24500	9.0-28.0	24VDC	500	≤0.35	400	≤1.5	4	≤6.0	20
HT-BL-SOG51A-24254	9.0-28.0	24VDC	254	≤0.35	195	≤1.5	7.5	≤6.0	39
HT-BL-SOG51A-24151	9.0-28.0	24VDC	151	≤0.35	115	≤1.5	12.5	≤6.0	66
HT-BL-SOG51A-2476	9.0-28.0	24VDC	76	≤0.35	55	≤1.5	24	≤6.0	131
HT-BL-SOG51A-2445	9.0-28.0	24VDC	45	≤0.35	33	≤1.5	38.5	≤6.0	220
HT-BL-SOG51A-2423	9.0-28.0	24VDC	23	≤0.35	17	≤1.5	76	≤6.0	436
HT-BL-SOG51A-2414	9.0-28.0	24VDC	14	≤0.35	10	≤1.5	100*	≤6.0	500*
HT-BL-SOG51A-2407	9.0-28.0	24VDC	7	≤0.35	4.5	≤1.5	230	≤6.0	700*
HT-BL-SOG51A-2404	9.0-28.0	24VDC	4	≤0.35	2.8	≤1.5	390	≤6.0	700*

**Remarks:**

1. Shaft dimension can be customized.
2. The Voltage can be 6v,9V, 12V, 24V; The DC Motor's speed is adjustable.
3. The gearbox can match with different DC motors.

\* The datasheet is only for your reference.

\* The parameter in the following table are adjustable upon your request.

\* Contact us if you don't find your specs or motors. Suitable ones would be introduced to you by us.



# HT-BL-COG95A

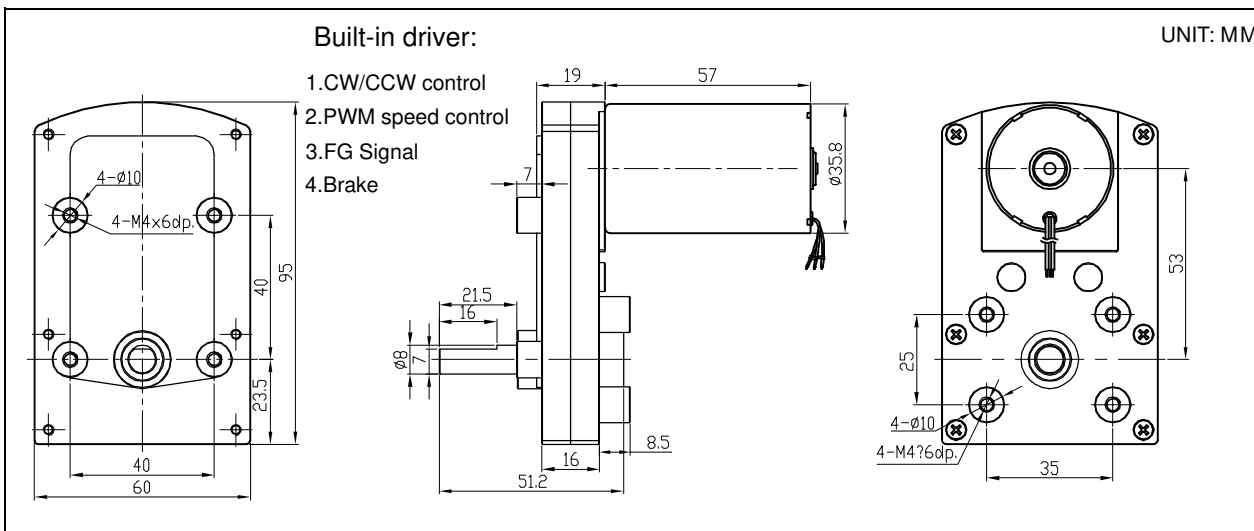
Brushless Gear Motors

Flat Spur Geared DC Motor

WEIGHT: 550g(APPROX)

Performance Range	Advantage	Typical Applications
Voltage: 6-36VDC	Very Low Noise	Home and office Automation
Speed: 1~250rpm	Long lifetime	Equipment and Apparatus
Torque: 3~600kg.cm	Built-in Driver	Ventilation and Fan

Gear Ratio Stage	2	4	5
Gear Ratio	37	162	594
	60	265	651
	66	315	973
	86		1059

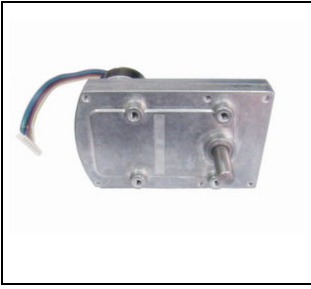


MODEL	VOLTAGE		NO LOAD		AT MAX EFFICIENCY			AT STALL	
	OPERATION RANGE	NOMINAL	SPEED	CURRENT	SPEED	CURRENT	TORQUE	CURRENT	TORQUE
			r/min	A	r/min	A	kg.cm	A	kg.cm
HT-BL-COG95A-24135	20.0-28.0	24VDC	135	$\leq 0.20$	105	$\leq 0.35$	7	$\leq 4.0$	30
HT-BL-COG95A-2483	20.0-28.0	24VDC	83	$\leq 0.20$	63	$\leq 0.35$	11.5	$\leq 4.0$	48
HT-BL-COG95A-2476	20.0-28.0	24VDC	76	$\leq 0.20$	57	$\leq 0.35$	12.5	$\leq 4.0$	53
HT-BL-COG95A-2458	20.0-28.0	24VDC	58	$\leq 0.20$	43	$\leq 0.35$	16	$\leq 4.0$	68
HT-BL-COG95A-2431	20.0-28.0	24VDC	31	$\leq 0.20$	22	$\leq 0.35$	29	$\leq 4.0$	129
HT-BL-COG95A-2419	20.0-28.0	24VDC	19	$\leq 0.20$	14	$\leq 0.35$	47	$\leq 4.0$	210
HT-BL-COG95A-2416	20.0-28.0	24VDC	16	$\leq 0.20$	11	$\leq 0.35$	55	$\leq 4.0$	250
HT-BL-COG95A-248.5	20.0-28.0	24VDC	8.5	$\leq 0.20$	6	$\leq 0.35$	102	$\leq 4.0$	410
HT-BL-COG95A-247.7	20.0-28.0	24VDC	7.7	$\leq 0.20$	5.4	$\leq 0.35$	112	$\leq 4.0$	450*
HT-BL-COG95A-2405	20.0-28.0	24VDC	5	$\leq 0.20$	3.3	$\leq 0.35$	158	$\leq 4.0$	500

Remarks:

1. Gearbox Shaft can be made with double shaft, shaft dimension can be customized.
2. The Voltage can be 6VDC, 12VDC, 24VDC; The DC Motor's speed is adjustable.
3. This gearbox can matched with other DC Motor.

- \* The datasheet is only for your reference.
- \* The parameter in the following table are adjustable upon your request.
- \* Contact us if you don't find your specs or motors. Suitable ones would be introduced to you by us.



# HT-BL-COG95B

Brushless Gear Motors

Flat Spur Geared DC Motor

**Performance Range**

Voltage: 6-36VDC  
 Speed: 1~250rpm  
 Torque: 3~600kg.cm

**Advantage**

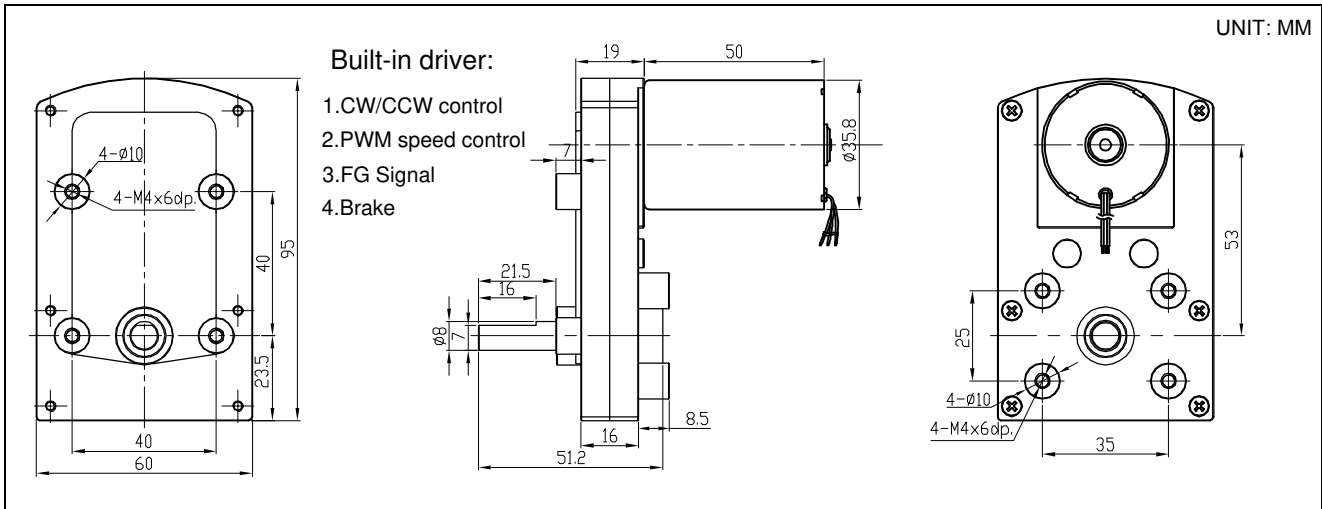
Very Low Noise  
 Long lifetime  
 Built-in Driver

WEIGHT: 500g(APPROX)

**Typical Applications**

Home and office Automation  
 Equipment and Apparatus  
 Ventilation and Fan

Gear Ratio Stage	2	4	5
Gear Ratio	37	162	594
	60	265	651
	66	315	973
	86		1059



MODEL	VOLTAGE		NO LOAD		AT MAX EFFICIENCY			AT STALL	
	OPERATE RANGE	NOMINAL	SPEED	CURRENT	SPEED	CURRENT	TORQUE	CURRENT	TORQUE
			r/min	A	r/min	A	kg.cm	A	kg.cm
HT-BL-COG95B-12135	9.0-14.0	12VDC	135	≤0.18	105	≤0.35	5.6	≤4.0	30
HT-BL-COG95B-1283	9.0-14.0	12VDC	83	≤0.18	63	≤0.35	9	≤4.0	48
HT-BL-COG95B-1276	9.0-14.0	12VDC	76	≤0.18	57	≤0.35	10	≤4.0	53
HT-BL-COG95B-1258	9.0-14.0	12VDC	58	≤0.18	43	≤0.35	13	≤4.0	68
HT-BL-COG95B-1231	9.0-14.0	12VDC	31	≤0.18	22	≤0.35	23	≤4.0	129
HT-BL-COG95B-1219	9.0-14.0	12VDC	19	≤0.18	14	≤0.35	38	≤4.0	210
HT-BL-COG95B-1216	9.0-14.0	12VDC	16	≤0.18	11	≤0.35	46	≤4.0	250
HT-BL-COG95B-128.5	9.0-14.0	12VDC	8.5	≤0.18	6	≤0.35	83	≤4.0	475
HT-BL-COG95B-127.7	9.0-14.0	12VDC	7.7	≤0.18	5.4	≤0.35	91	≤4.0	500*
HT-BL-COG95B-1205	9.0-14.0	12VDC	5	≤0.18	3.3	≤0.35	126	≤4.0	600*
HT-BL-COG95B-124.7	9.0-14.0	12VDC	4.7	≤0.18	3	≤0.35	137	≤4.0	600*

**Remarks:**

1. Gearbox Shaft can be made with double shaft, shaft dimension can be customized.
2. The Voltage can be 6VDC, 12VDC, 24VDC; The DC Motor's speed is adjustable.
3. This gearbox can matched with other DC Motors.

\* The datasheet is only for your reference.

\* The parameter in the following table are adjustable upon your request.

\* Contact us if you don't find your specs or motors. Suitable ones would be introduced to you by us.



# HT-BL-COG95C

Brushless Gear Motors

Flat Spur Geared DC Motor

WEIGHT: 500g(APPROX)

### Performance Range

Voltage: 6-24VDC  
 Speed: 1~250rpm  
 Torque: 1~600kg.cm

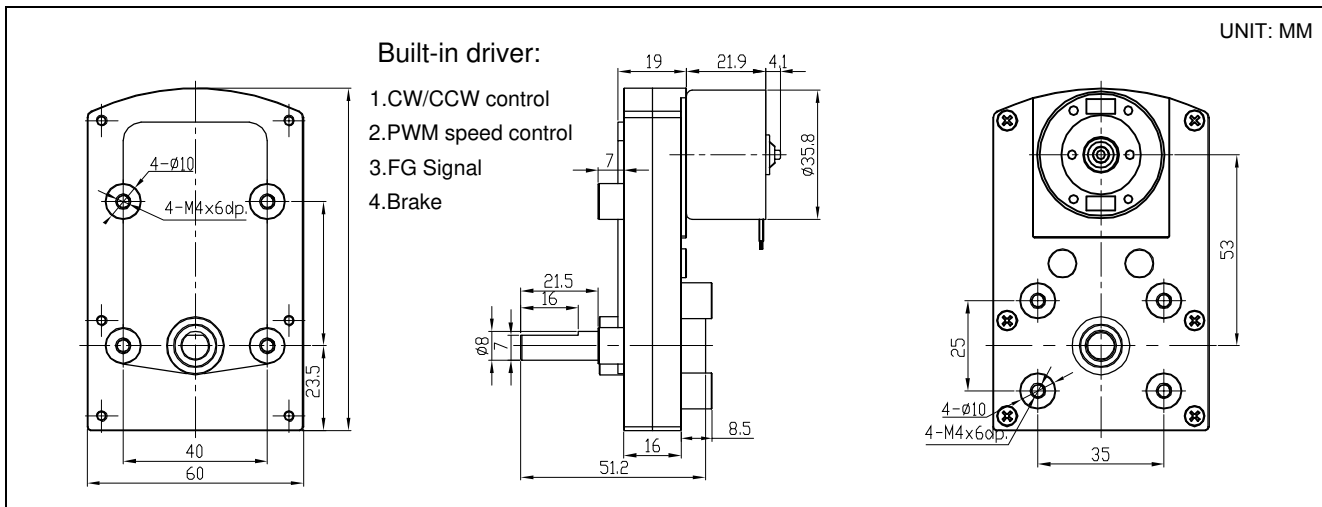
### Advantage

Very Low Noise  
 Long lifetime  
 Built-in Driver

### Typical Applications

Home and office Automation  
 Equipment and Apparatus  
 Ventilation and Fan

Gear Ratio Stage	2	4	5
Gear Ratio	37	162	594
	60	265	651
	66	315	973
	86		1059



MODEL	VOLTAGE		NO LOAD		AT MAX EFFICIENCY			AT STALL	
	OPERATION RANGE	NOMINAL	SPEED	CURRENT	SPEED	CURRENT	TORQUE	CURRENT	TORQUE
			r/min	A	r/min	A	kg.cm	A	kg.cm
HT-BL-COG95C-2465	20.0-28.0	24VDC	65	≤0.06	49	≤0.2	1.4	≤1.2	11
HT-BL-COG95C-2440	20.0-28.0	24VDC	40	≤0.06	30	≤0.2	2.3	≤1.2	18
HT-BL-COG95C-2436	20.0-28.0	24VDC	36	≤0.06	27	≤0.2	2.5	≤1.2	20
HT-BL-COG95C-2428	20.0-28.0	24VDC	28	≤0.06	20	≤0.2	3.3	≤1.2	26
HT-BL-COG95C-2415	20.0-28.0	24VDC	15	≤0.06	11	≤0.2	6	≤1.2	48
HT-BL-COG95C-2409	20.0-28.0	24VDC	9	≤0.06	6.6	≤0.2	10	≤1.2	79
HT-BL-COG95C-247.6	20.0-28.0	24VDC	7.6	≤0.06	5.5	≤0.2	12	≤1.2	94
HT-BL-COG95C-2404	20.0-28.0	24VDC	4	≤0.06	2.9	≤0.2	21	≤1.2	178
HT-BL-COG95C-243.7	20.0-28.0	24VDC	3.7	≤0.07	2.6	≤0.2	23	≤1.2	195
HT-BL-COG95C-242.5	20.0-28.0	24VDC	2.5	≤0.07	1.6	≤0.2	32	≤1.2	291
HT-BL-COG95C-242.3	20.0-28.0	24VDC	2.3	≤0.08	1.5	≤0.2	34	≤1.2	340

**Remarks:**

1. Gearbox Shaft can be made with double shaft, shaft dimension can be customized.
2. The Voltage can be 6VDC, 12VDC, 24VDC; The DC Motor's speed is adjustable.
3. This gearbox can matched with other DC Motors.

We are committed to offering you reliable but cost-effective DC gear motor solution to your application product.

We pay attention to every details you are concerned about in your applications, such as low noise, low backlash, EMC, low current, self-lock etc.

Don't hesitate to contact us if you don't find suitable motors, we would like to recommend you Suitable motors to your application products

### Value-added service:

- 1, Custom shafts
- 2, Magnet encoder: 3PPR, 7PPR, 12PPR available.
- 3, Wires soldering.